

FOLDER 2
SET 517

PHOTOFACT® Folder

with CIRCUITRACE®
TRADE MARK

RCA VICTOR CHASSIS CTC10A, B, C,
D, E, F, T, TU, W, CRK3F, CTP7B

RCA VICTOR CHASSIS CTC10A, B, C,
D, E, F, T, TU, W, CRK3F, CTP7B

RCA VICTOR CHASSIS CTC10A, B, C,
D, E, F, T, TU, W, CRK3F, CTP7B

MODEL 211CDR936U (TV CH. CTC10F)

TRADE NAME	RCA Victor	MODELS	CHASSIS
		211CB822, 211CD855, 211CD856, 211CD857	CTC10A
		211CB822U, 211CD855U, 211CD856U, 211CD857U	CTC10B
		211CD835, 211CD835X, 211CD836, 211CD836X, 211CD837, 211CD837X, 211CD865, 211CD866, 211CD867, 211CD885, 211CD886, 211CD887, 211CD896, 211CD904, 211CD920, 211CD924	CTC10C
		211CD835U, 211CD835XU, 211CD836U, 211CD836XU, 211CD837U, 211CD837XU, 211CD865U, 211CD866U, 211CD867U, 211CD885U, 211CD886U, 211CD887U, 211CD896U, 211CD904U, 211CD920U, 211CD924U	CTC10D
		211CDR835, 211CDR836, 211CDR837, 211CDR886, 211CDR896, 211CDR904, 211CDR920, 211CDR924, 211CDR932, 211CDR935, 211CDR936	CTC10E
		211CDR835U, 211CDR836U, 211CDR837U, 211CDR886U, 211CDR896U, 211CDR904U, 211CDR920U, 211CDR924U, 211CDR932U, 211CDR935U, 211CDR936U	CTC10F
		211CB812 ..Chassis CTC10T; 211CB812U .. CTC10TU; 211CRH976 .. CTC10W	
		("CDR" Models use Remote Control Receiver CTP7B and Remote Control Transmitter CRK3F)	
MANUFACTURER	Radio Corporation of America, RCA Victor Tele. Div., Camden 8, New Jersey		
TYPE SET	Color Television Receiver		
TUBES	TV: VHF - Twenty-Six, UHF - Twenty-Seven Remote Control Receiver: Six		
TRANSISTOR	Remote Control Transmitter: One		
POWER SUPPLY	110 - 120 Volts AC, 60 Cycle		
RATING	VHF/UHF w/Remote Control: 352 Watts, 3.65 Amp. @ 117 Volts AC (While Tuning) 325 Watts, 3.4 Amp. @ 117 Volts AC (Not Tuning) 290 Watts, 3 Amp. @ 117 Volts AC		
TUNING RANGE	VHF/UHF TV Only: Channels 2 thru 13 VHF, 14 thru 83 UHF, Video IF 45.75MC, Sound IF 41.25MC (Intercarrier)		

HOWARD W. SAMS & CO., INC. Indianapolis 6, Indiana

The listing of any available replacement part herein does not constitute in any case a recommendation, warranty or guaranty by Howard W. Sams & Co., Inc., as to the quality and suitability of such replacement part. The numbers of these parts have been compiled from information furnished to Howard W. Sams & Co., Inc., by the manufacturers of KB434

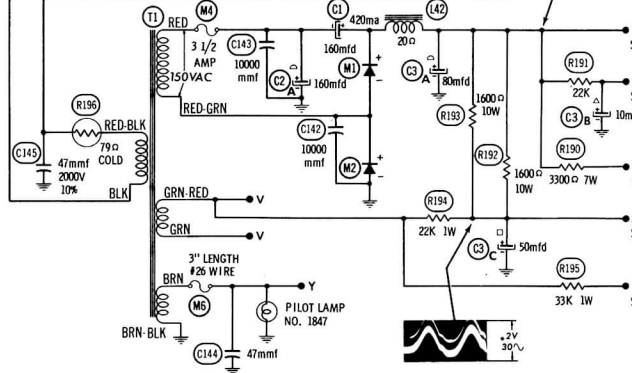
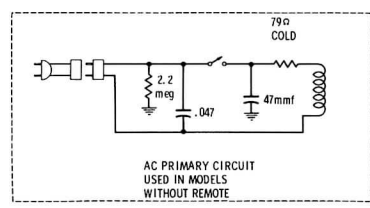
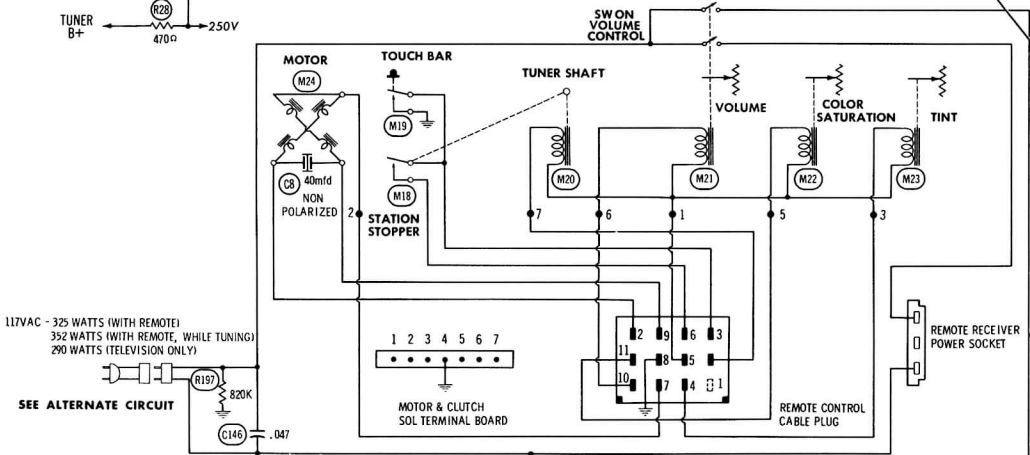
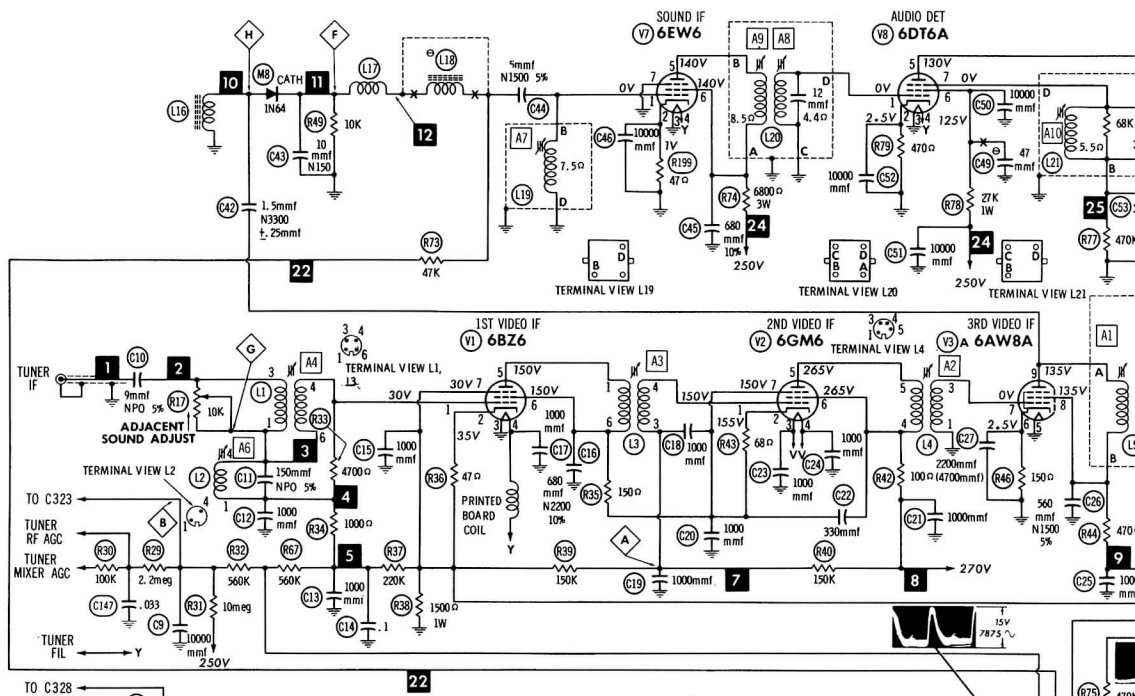
the particular type of replacement part listed. Reproduction or use, without express permission, of editorial or pictorial content, in any manner, is prohibited. No patent liability is assumed with respect to the use of the information contained herein. © 1961 Howard W. Sams & Co., Inc., Indianapolis 6, Indiana. Printed in U.S. of America

DATE 2 - 61

SET 517

FOLDER 2

SET 517
FOLDER 2



SEE PARTS LIST FOR ALTERNATE VALUE OR APPLICATION

DC COIL RESISTANCE VALUES UNDER ONE OHM NOT SHOWN ON SCHEMATIC DIAGRAM

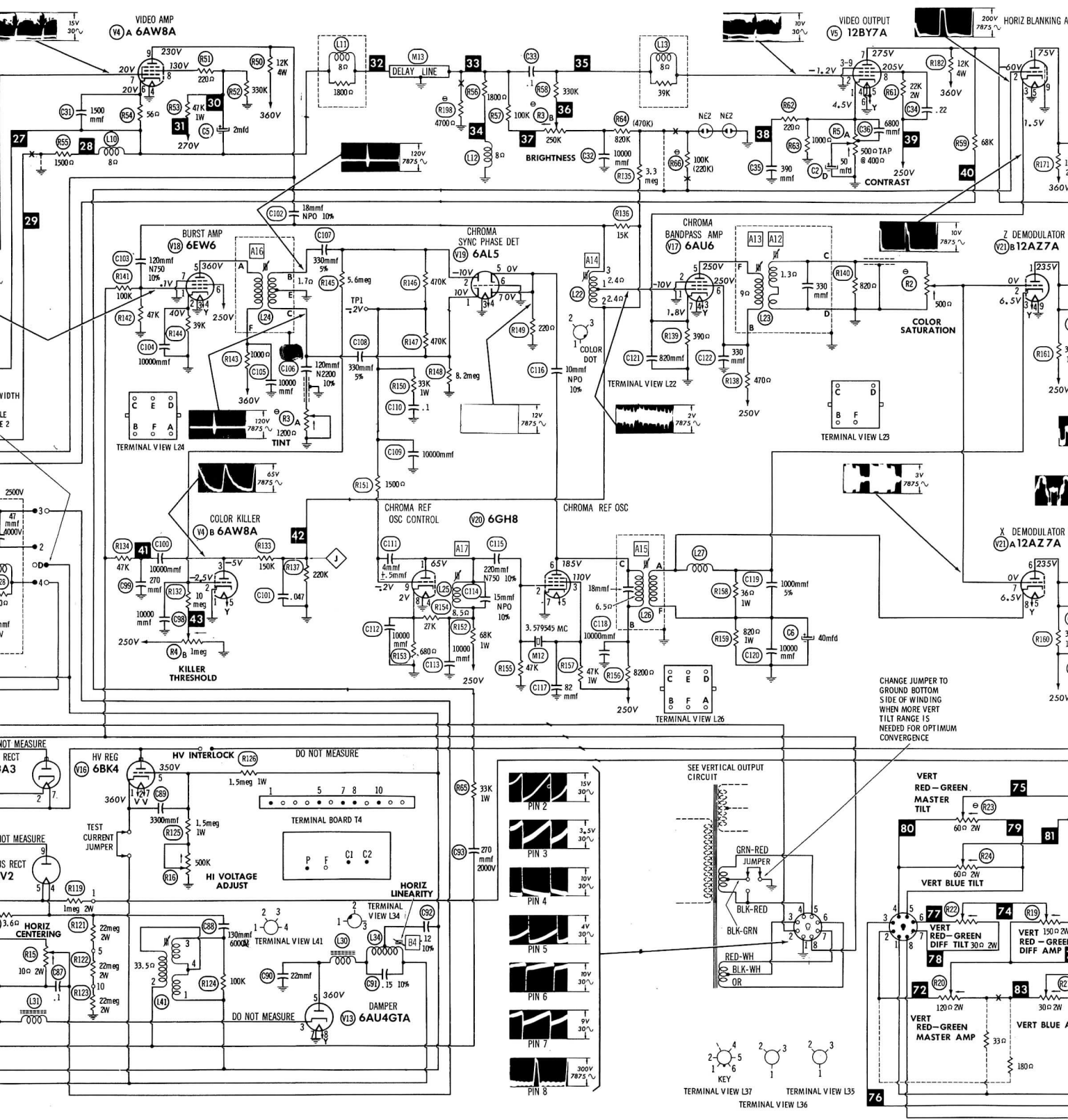
ARROWS ON CONTROLS INDICATE CLOCKWISE ROTATION (CONTROL VIEWED FROM SHAFT END)

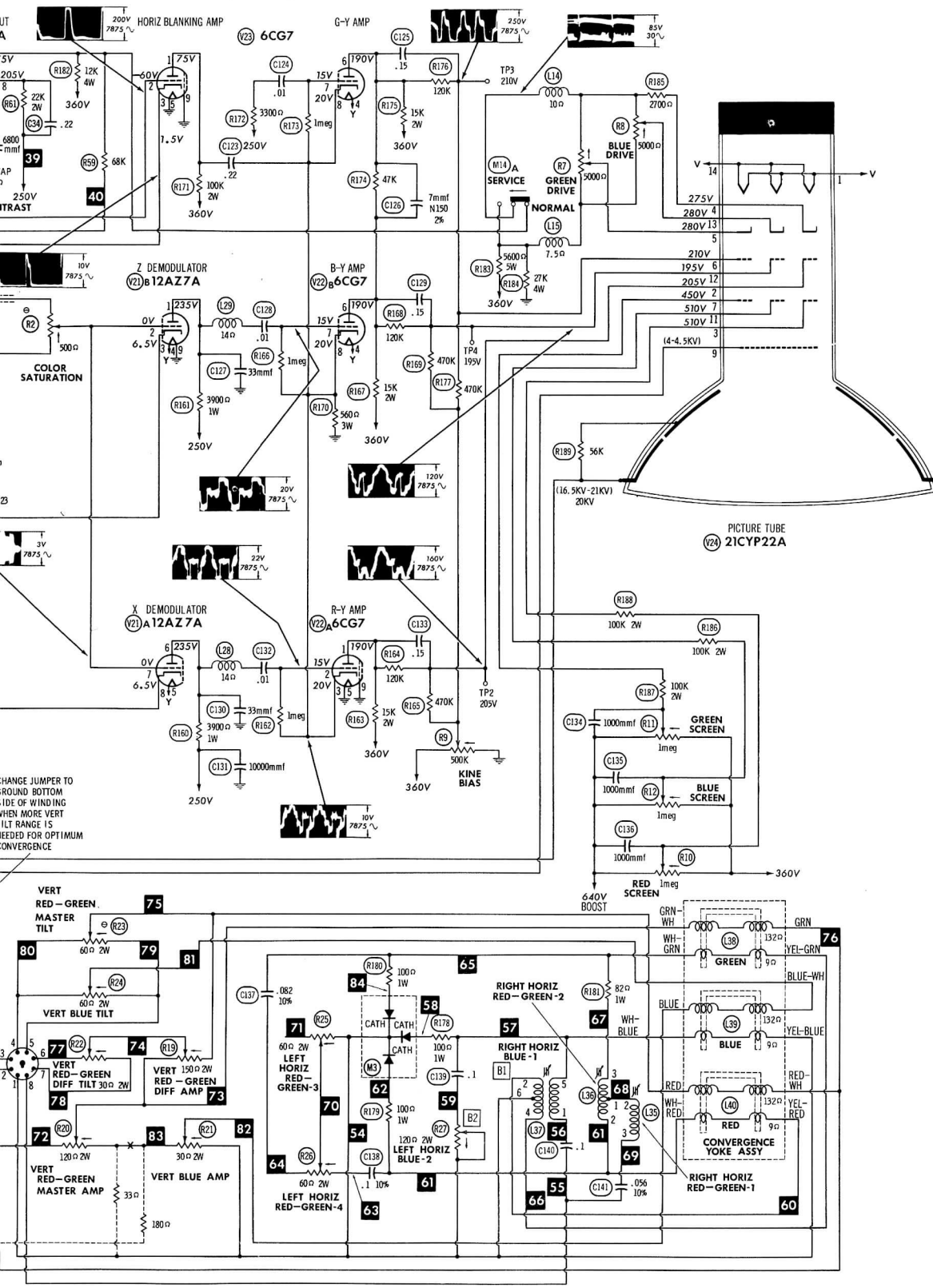
- DC voltage measurements taken with vacuum tube voltmeter; AC voltage measured at 1000 ohms per volt.
- Pin numbers are counted in clockwise direction on bottom of socket.
- Measured values are from socket pin to common negative unless otherwise stated.
- Line Voltage maintained at 117 volts for voltage readings.
- All controls set for normal operation; no signal applied.

A PHOTOFAC STANDARD NOTATION SCHEMATIC with **CIRCUITRACE**

© Howard W. Sams & Co., Inc. 1961

ADDITIONAL SCHEMATICS	PAGE
REMOTE CONTROL RECEIVER and TRANSMITTER	27
VHF TUNER with UHF Provisions	29
UHF TUNER KRK66A, AB	31
VHF TUNER KRK96E, F, H	32
VHF TUNER KRK98C	33





RCA VICTOR CHASSIS CTC10A, B, C, D, E, F, T, TU, W, CRK3F, CTP7B

TV ALIGNMENT INSTRUCTIONS (cont)

SOUND IF ALIGNMENT

Connect the negative lead of a 10 volt bias supply to point \diamond . Positive to chassis. In the following steps, the signal level may be reduced by disconnecting the lead from the terminal at point \diamond and connecting a 1meg potentiometer from point \diamond to chassis. The lead is then connected to the center arm of the control. This control is then used to control the level of the signal applied to the Sound IF strip. Start alignment with the control turned to maximum signal.

DUMMY ANTENNA	SIGNAL GENERATOR COUPLING	SIGNAL GENERATOR FREQUENCY	CHANNEL	CONNECT VTVM	ADJUST	REMARKS
13. .001mfd	High side to point \diamond . Low side to chassis.	4.5MC (Unmod.)	Any non-interfering channel	DC probe thru diode probe (Fig.5) to pin 1 (grid) of 6DT6A (V8). Common to chassis. Connect scope across voice coil of speaker.	A7	Connect a jumper from pin 7 (grid 3) of V8 to chassis. Adjust for maximum deflection. Set generator output for 1 volt on VTVM. Use peak with slug nearest top of coil form.
14. "	"	"	"	"	A8, A9	Adjust for maximum deflection. Set generator output for 1 volt on VTVM. Peak with maximum core separation. Repeat steps 13 and 14.
15. Remove the diode probe and jumper. Turn off signal generator and tune in strongest signal in the area. Set volume control for normal volume. Set A10 so that core is flush with top of coil form. Observe scope and listen to sound. Change bias at point \diamond to zero. Adjust A10 clockwise to a peak. Continue clockwise to second louder peak and adjust for maximum output at this second peak. Gradually decrease signal until sound becomes distorted. Maintain distorted signal and adjust A8 for maximum output.						

ALTERNATE SOUND IF ALIGNMENT USING FM GENERATOR

Connect the negative lead of a 10 volt bias supply to point \diamond . Positive to chassis.

DUMMY ANTENNA	SIGNAL GENERATOR COUPLING	SIGNAL GENERATOR FREQUENCY	CHANNEL	CONNECT VTVM	ADJUST	REMARKS
13. .001mfd	High side to point \diamond . Low side to chassis.	4.5MC (400v FM Mod. 15KC Swp.)	Any non-interfering channel	DC probe thru diode probe (Fig. 5) to pin 1 (grid) of 6DT6A (V8). Common to chassis.	A7	Connect a jumper from pin 7 (grid 3) of V8 to chassis. Adjust for maximum deflection. Set generator for 1 volt on VTVM. Use peak with slug nearest top of coil form.
14. "	"	"	"	"	A8, A9	Adjust for maximum deflection. Set generator for 1 volt on VTVM. Remove VTVM, diode probe and jumper.
15. "	"	"	"	Use SCOPE Across speaker voice coil	A10	Starting with the slug fully counterclockwise adjust to a peak. Continue turning clockwise until a second peak is reached and adjust for maximum at this second peak. Decrease signal until detector breaks out of lock as indicated by jagged portions of the sine wave on the scope. Retouch A8 for symmetrical breakout similar to Fig. 6.

4.5MC TRAP ALIGNMENT

DUMMY ANTENNA	SIGNAL GENERATOR COUPLING	SIGNAL GENERATOR FREQUENCY	CHANNEL	CONNECT VTVM	ADJUST	REMARKS
16. .001mfd	High side to point \diamond . Low side to chassis.	4.5MC (400v AM)	Any non-interfering channel	Use SCOPE Across speaker voice coil	A11	Adjust for MINIMUM 400v indication on scope.

CHROMA BANDPASS ALIGNMENT

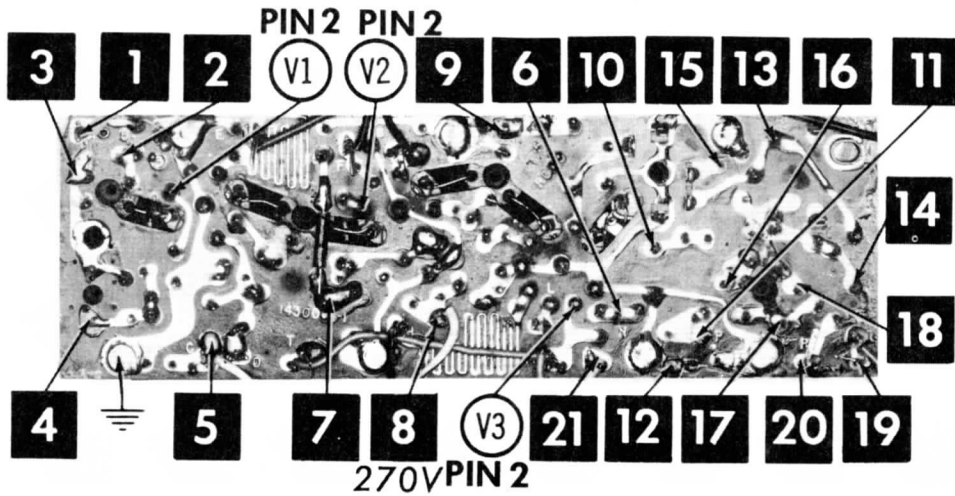
Connect the negative lead of a 7 volt bias supply to point \diamond . Positive to chassis. Connect a clip lead from point \diamond to chassis. Turn Color Saturation Control fully clockwise.

DUMMY ANTENNA	SWEEP GENERATOR COUPLING	SWEEP GENERATOR FREQUENCY	MARKER GENERATOR FREQUENCY	CHANNEL	CONNECT SCOPE	ADJUST	REMARKS
17. .1mfd	High side to pin 1 (grid) of 6AU6 (V17). Low side to chassis.	3.58MC (3-5MC Swp.)	3.08MC 4.08MC	Any non-interfering channel	Vert. Amp. thru demodulator probe (Fig. 7) to pin 2 (grid) of 12AZ7 (V21). Low side to chassis.	A12, A13	Adjust for response similar to Fig. 8 with equal marker height.
18. Turn the Brightness and Contrast controls fully counterclockwise. Connect 330Ω resistor and 4mfd capacitor in series from plate (Pin 5) of 6AU8 (V17) to chassis.							
19. Direct	High side to ungrounded tube shield floating over Mixer-Osc. tube (V302). Low side to chassis. Connect high side of separate marker generator to ungrounded tube shield of Chroma Bandpass Amp. (V17). Low side to chassis.	45MC (10MC Swp.)	3.08MC 4.08MC	Any non-interfering channel	Vert. Amp. thru demodulator probe (Fig. 7) to pin 2 (grid) of 12AZ7 (V21). Low side to chassis.	A14	Remove clip lead between point \diamond and chassis. Adjust A14 for response similar to Fig. 9. Peak with core nearest chassis end of coil form.

SEE PAGE 17 FOR WAVEFORMS

RCA VICTOR CHASSIS CT10A, B, C,
D, E, F, T, TU, W, CRK3F, CTP7B

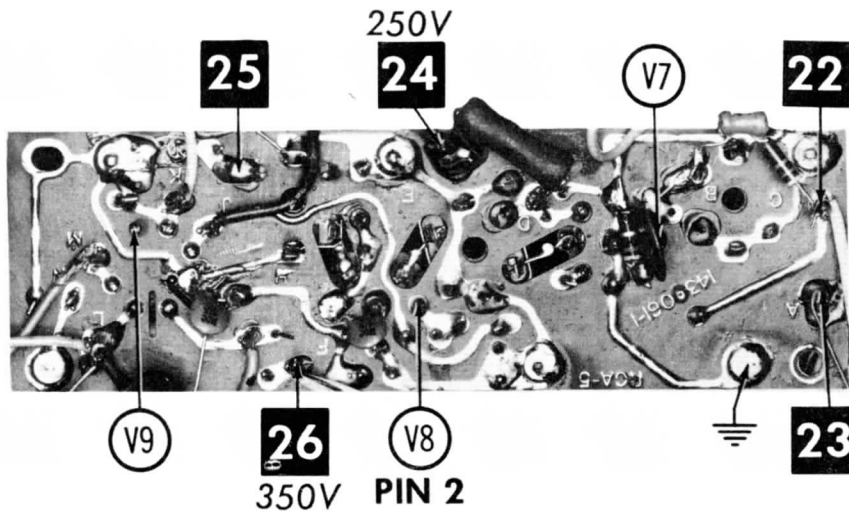
FOLDER 2



A Howard W. Sams **CIRCUITRACE** Photo

ARROWS INDICATING TUBE LOCATIONS ARE POINTING TO PIN 1 UNLESS OTHERWISE INDICATED

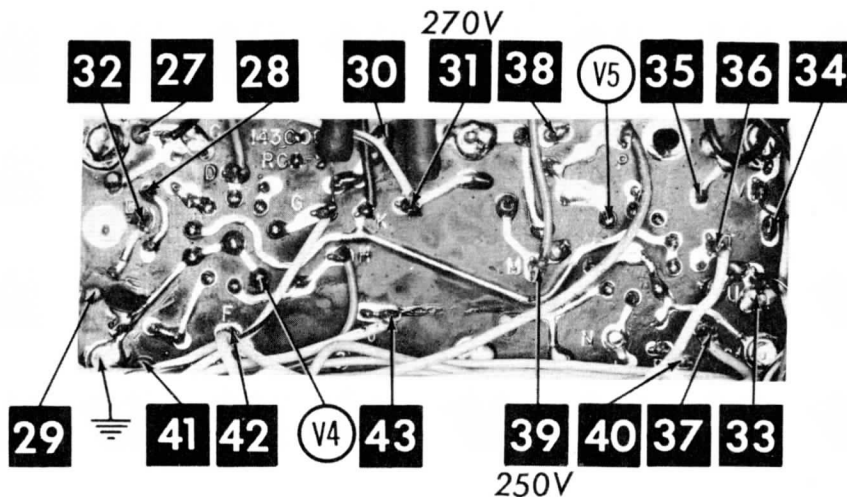
VIDEO I F PRINTED BOARD



A Howard W. Sams **CIRCUITRACE** Photo

ARROWS INDICATING TUBE LOCATIONS ARE POINTING TO PIN 1 UNLESS OTHERWISE INDICATED

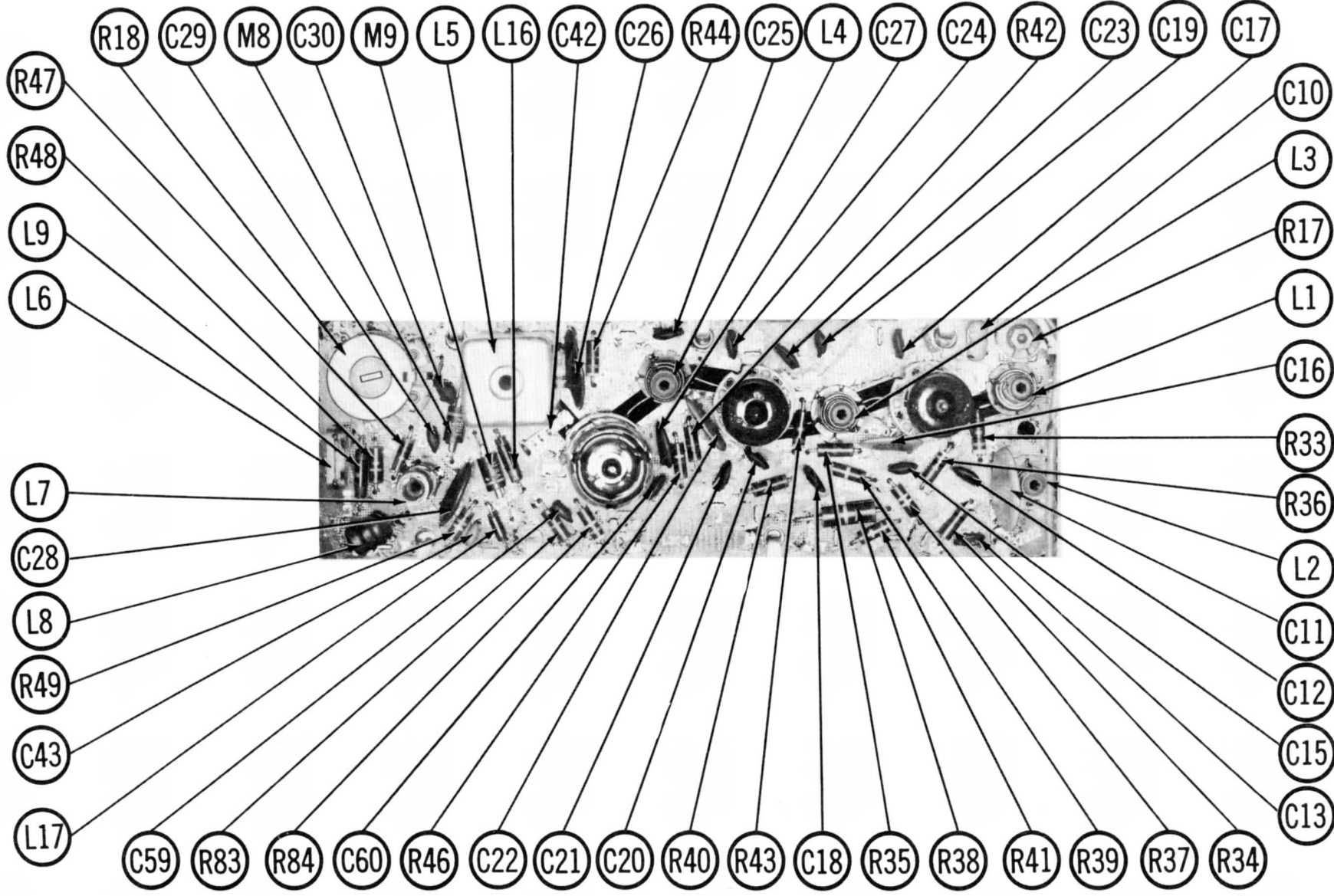
SOUND PRINTED BOARD



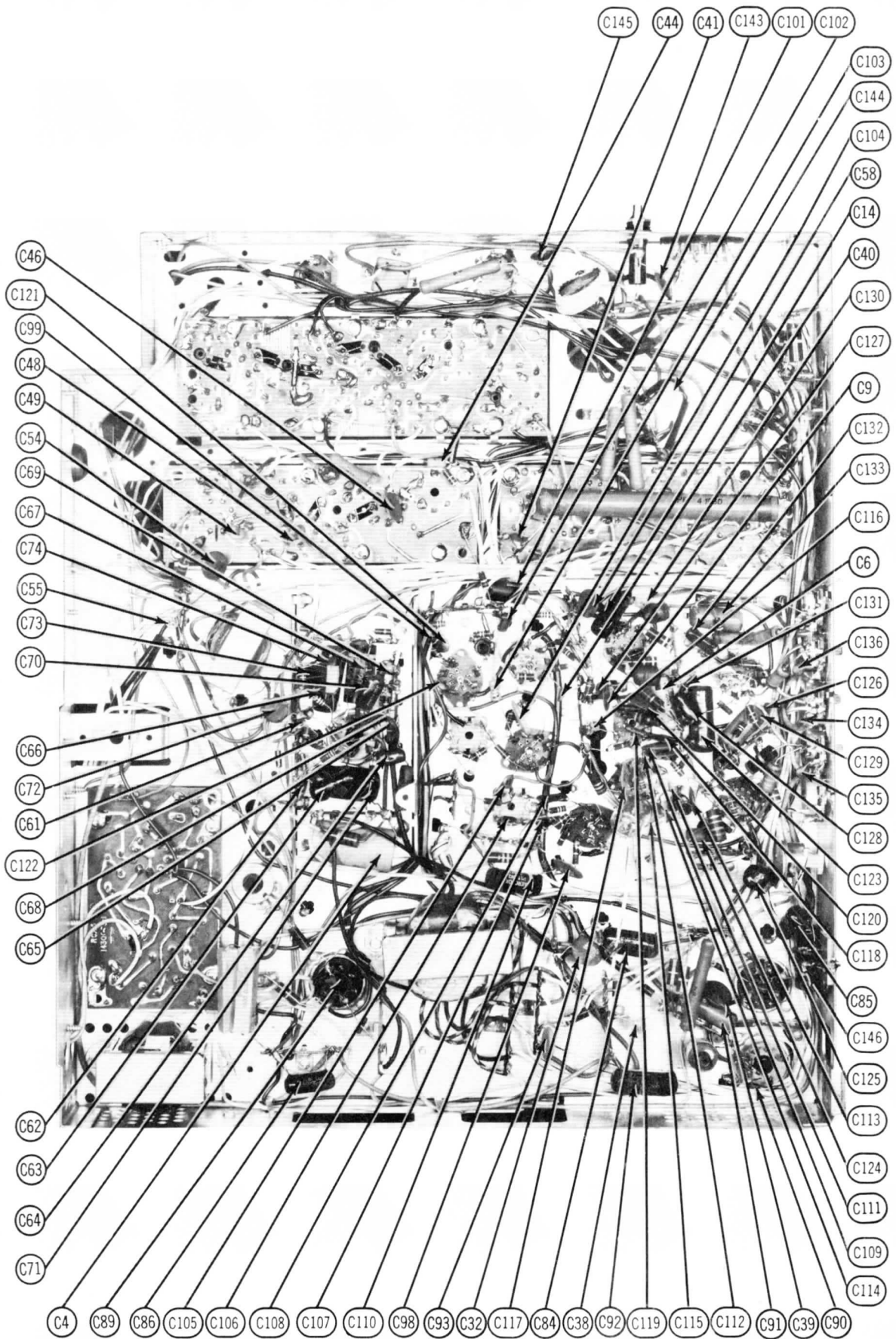
A Howard W. Sams **CIRCUITRACE** Photo

ARROWS INDICATING TUBE LOCATIONS ARE POINTING TO PIN 1 UNLESS OTHERWISE INDICATED

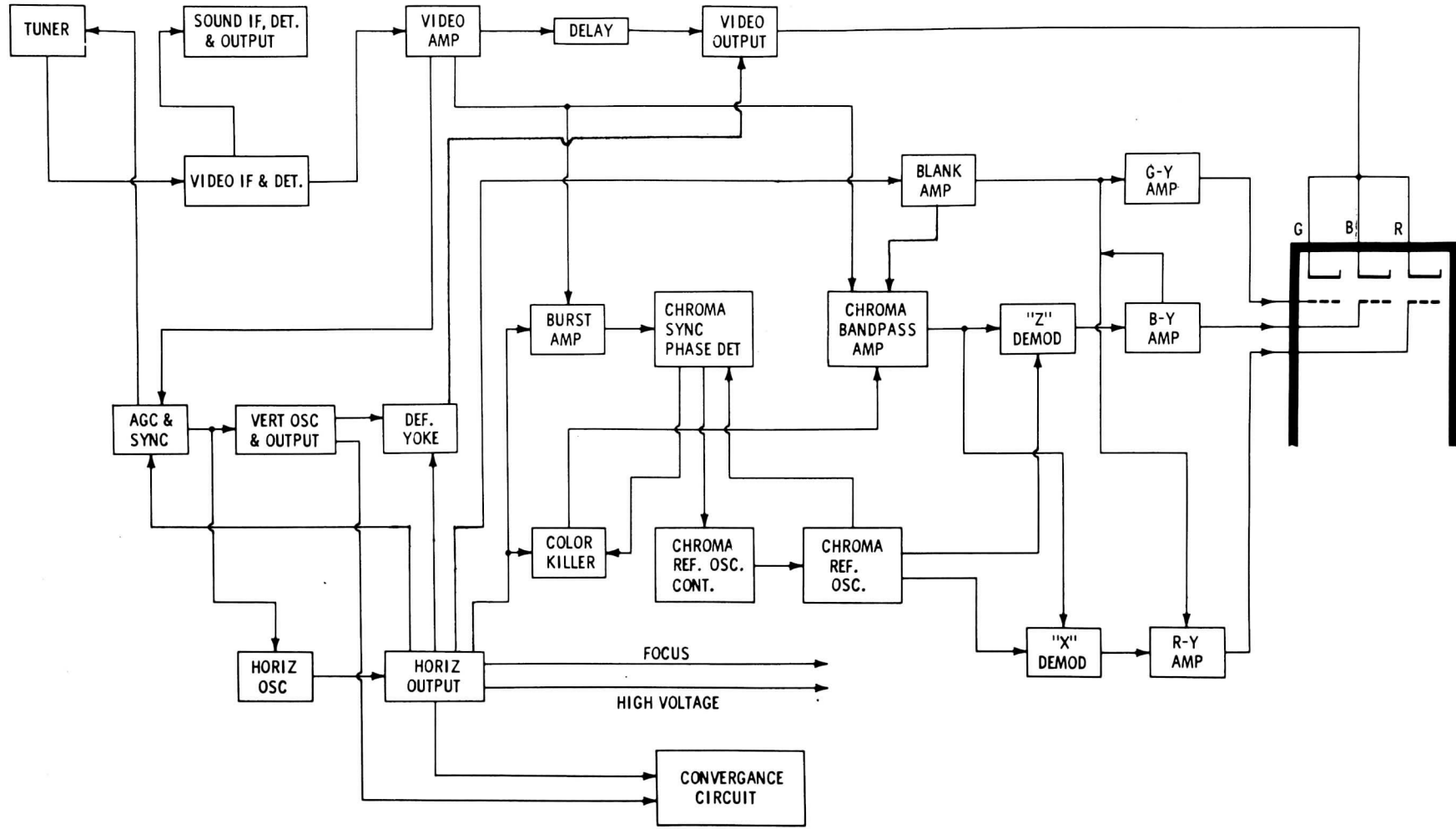
VIDEO AMP., OUTPUT, COLOR KILLER PRINTED BOARD



RCA VICTOR CHASSIS CT10A,
 B,C,D,E,F,T,U,W,CRK3F,CTP7B
 VIDEO IF PRINTED BOARD

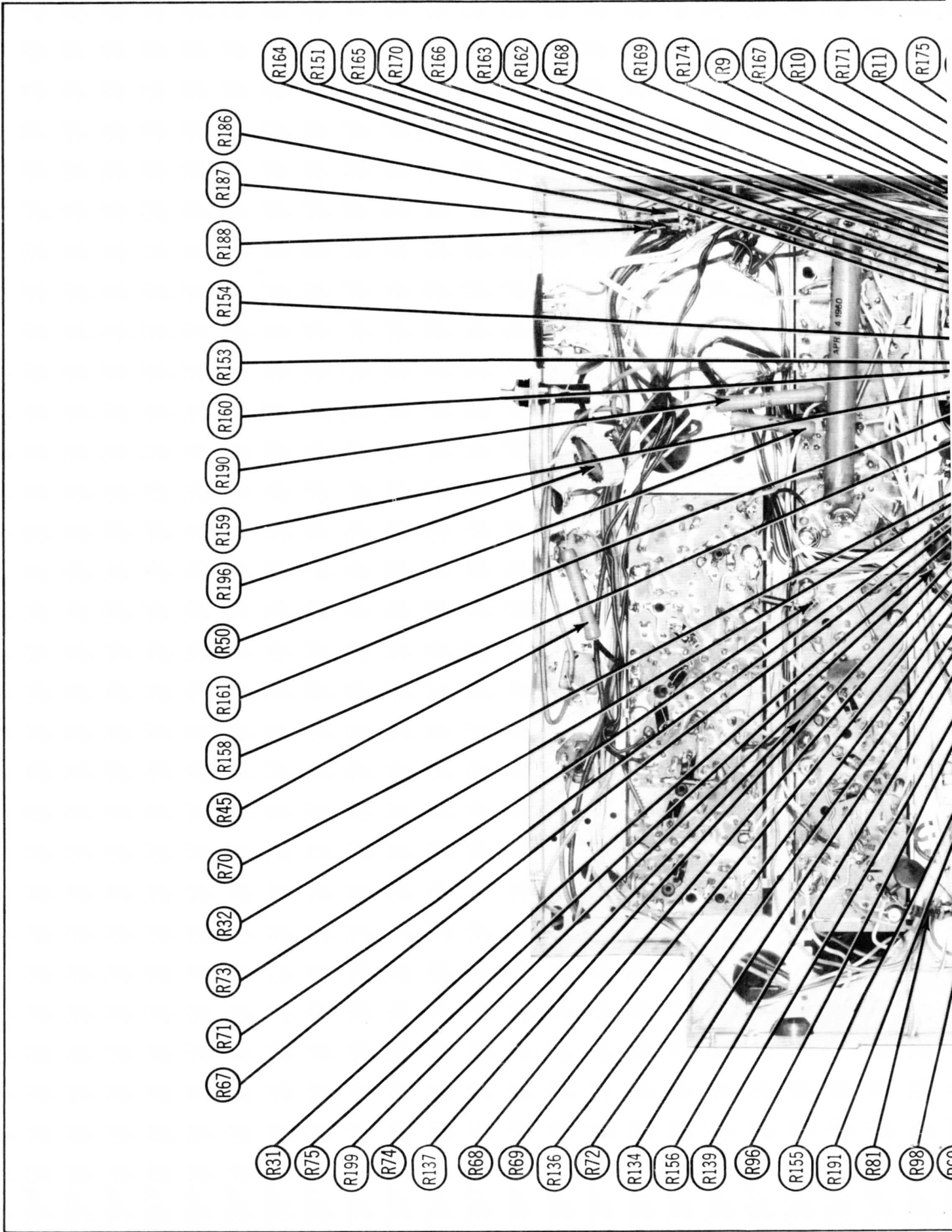


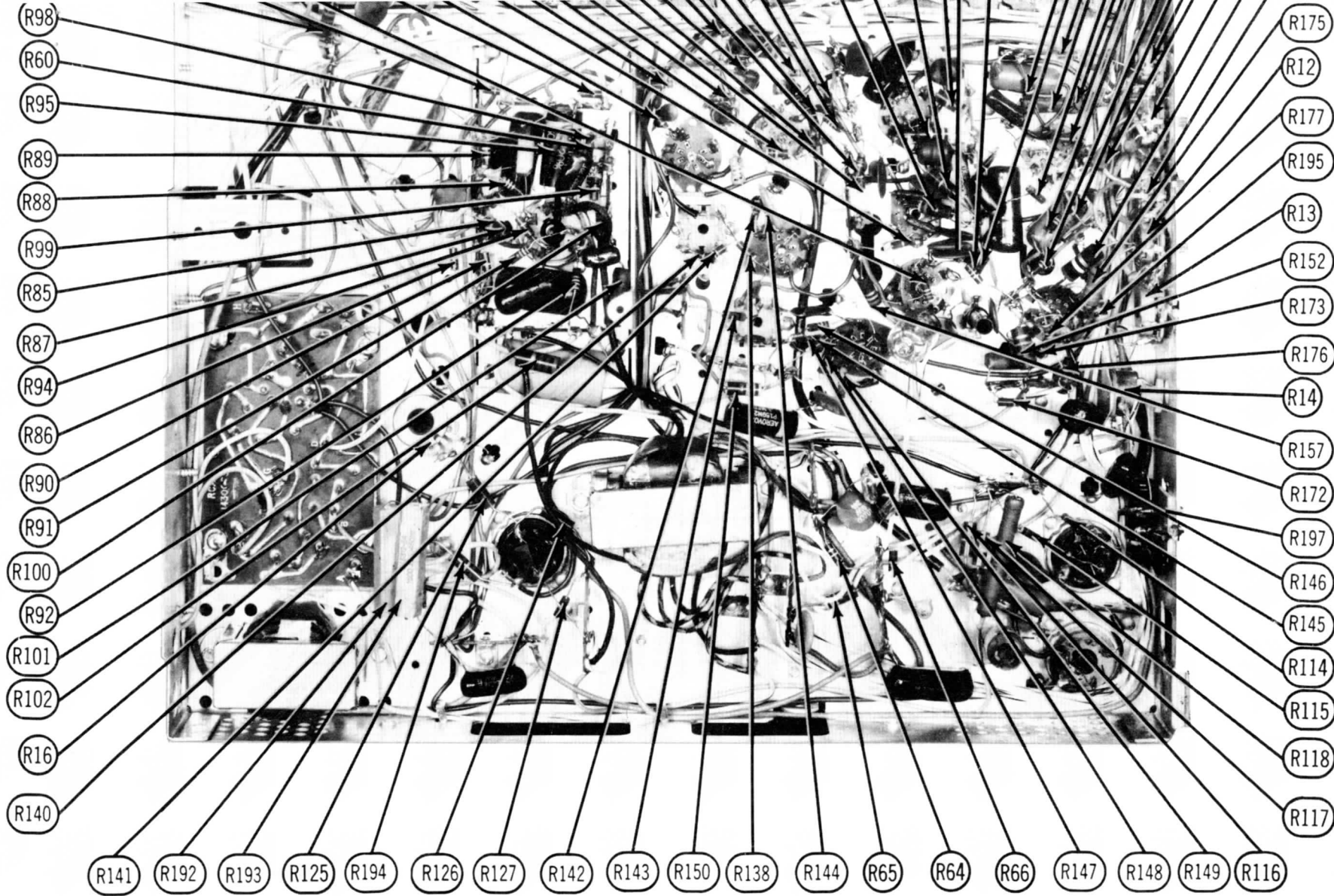
CHASSIS BOTTOM VIEW - CAPACITOR IDENT.



BLOCK DIAGRAM

RCA VICTOR CHASSIS CT10A,
B, C, D, E, F, T, TU, W, CRK3F, C1P7B

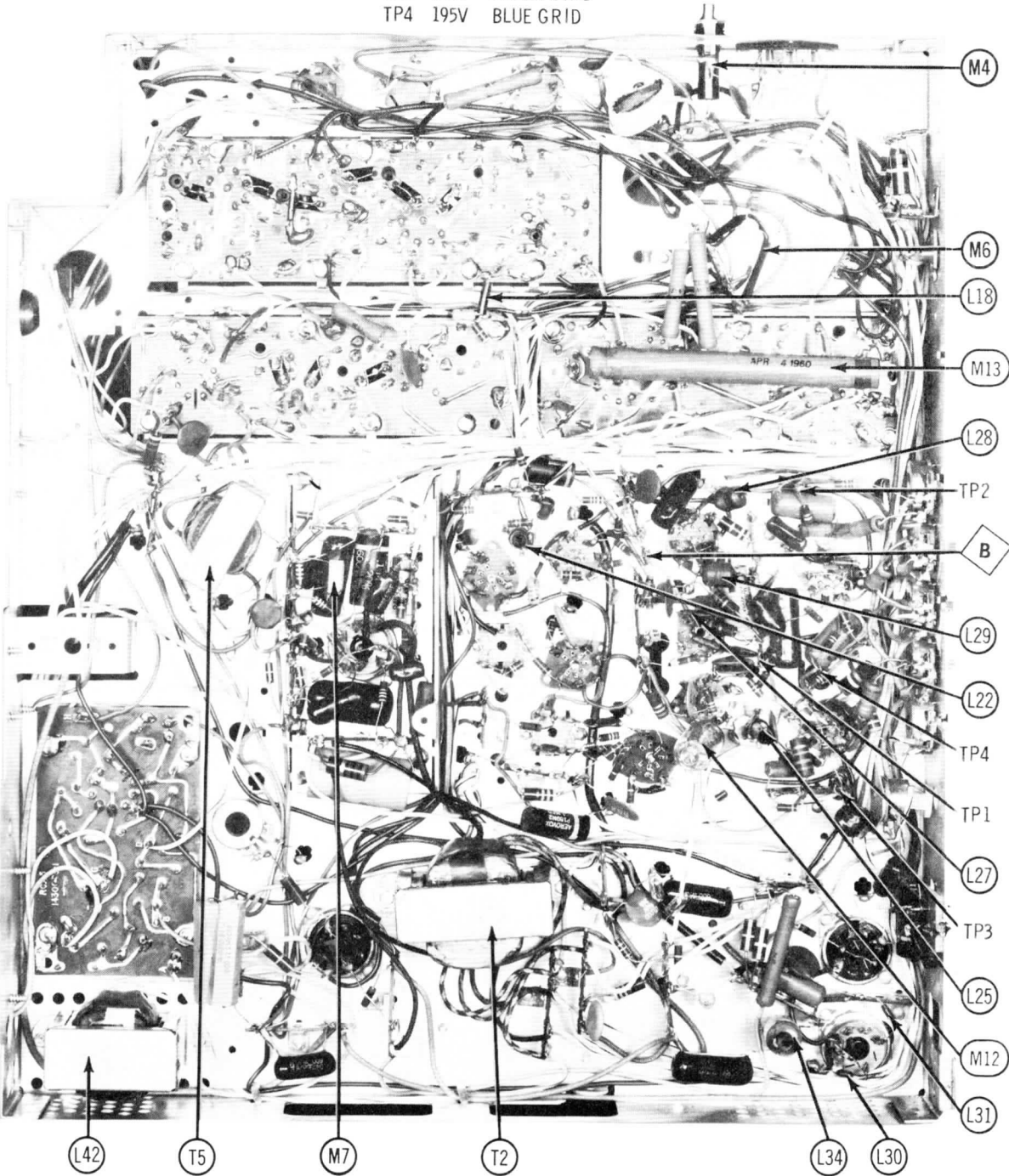




CHASSIS BOTTOM VIEW - RESISTOR IDENT.

RCA VICTOR CHASSIS CT10A,
 B, C, D, E, F, T, U, W, CRK3F, CTP7B

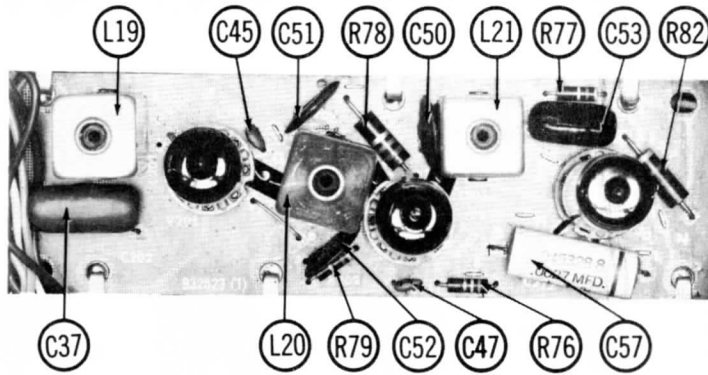
TP1 -2V PHASE DET OUTPUT
 TP2 205V RED GRID
 TP3 210V GREEN GRID
 TP4 195V BLUE GRID



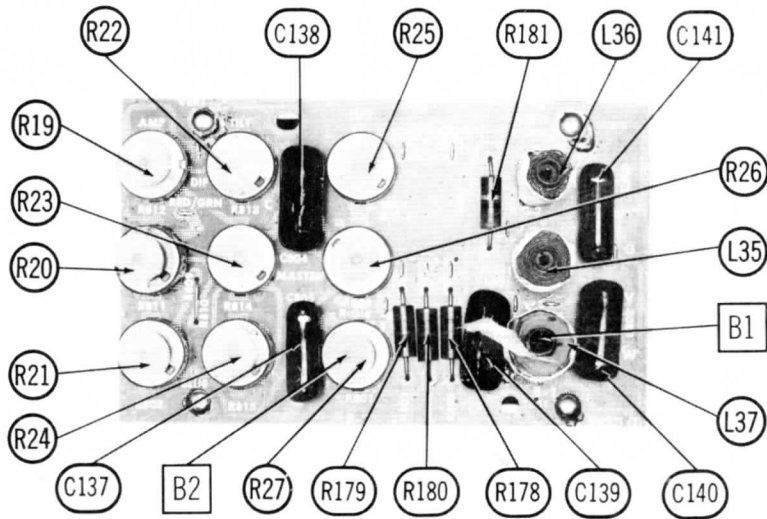
RCA VICTOR CHASSIS CT10A,
 B, C, D, E, F, T, TU, W, CRK3F, CTP7B

CHASSIS BOTTOM VIEW - TEST POINT,
 INDUCTOR, MISC., TRANSFORMER IDENT.

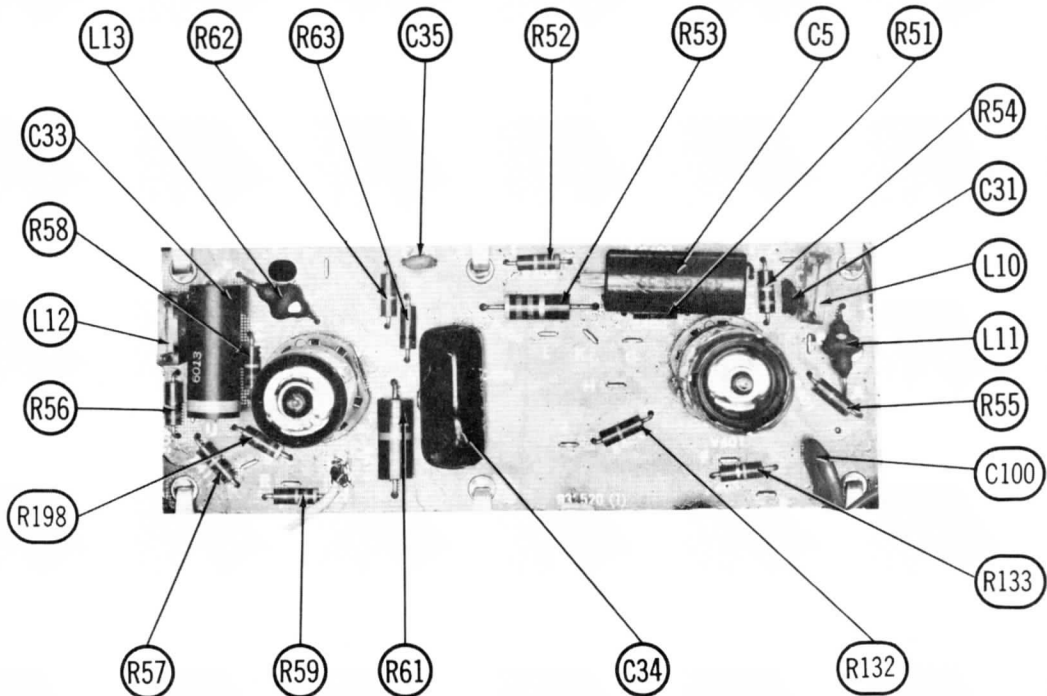
FOLDER 2



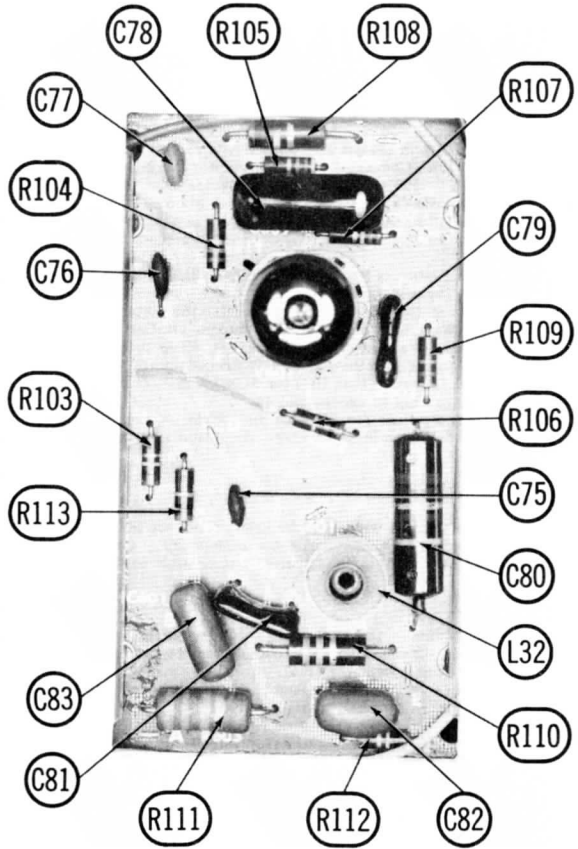
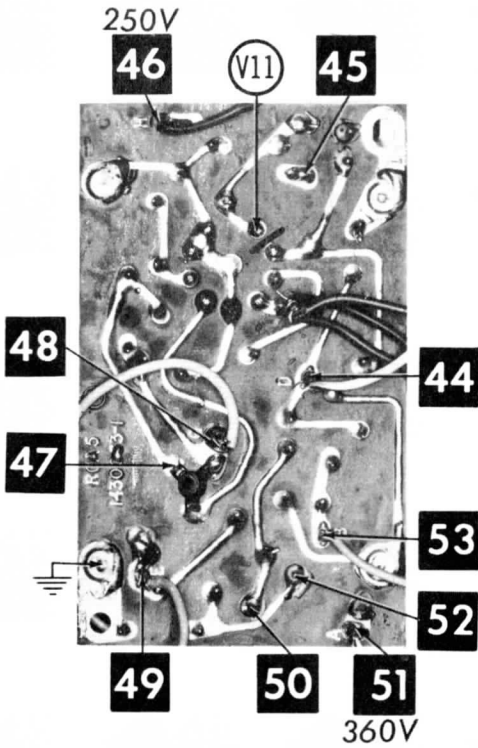
SOUND PRINTED BOARD



CONVERGENCE PRINTED BOARD

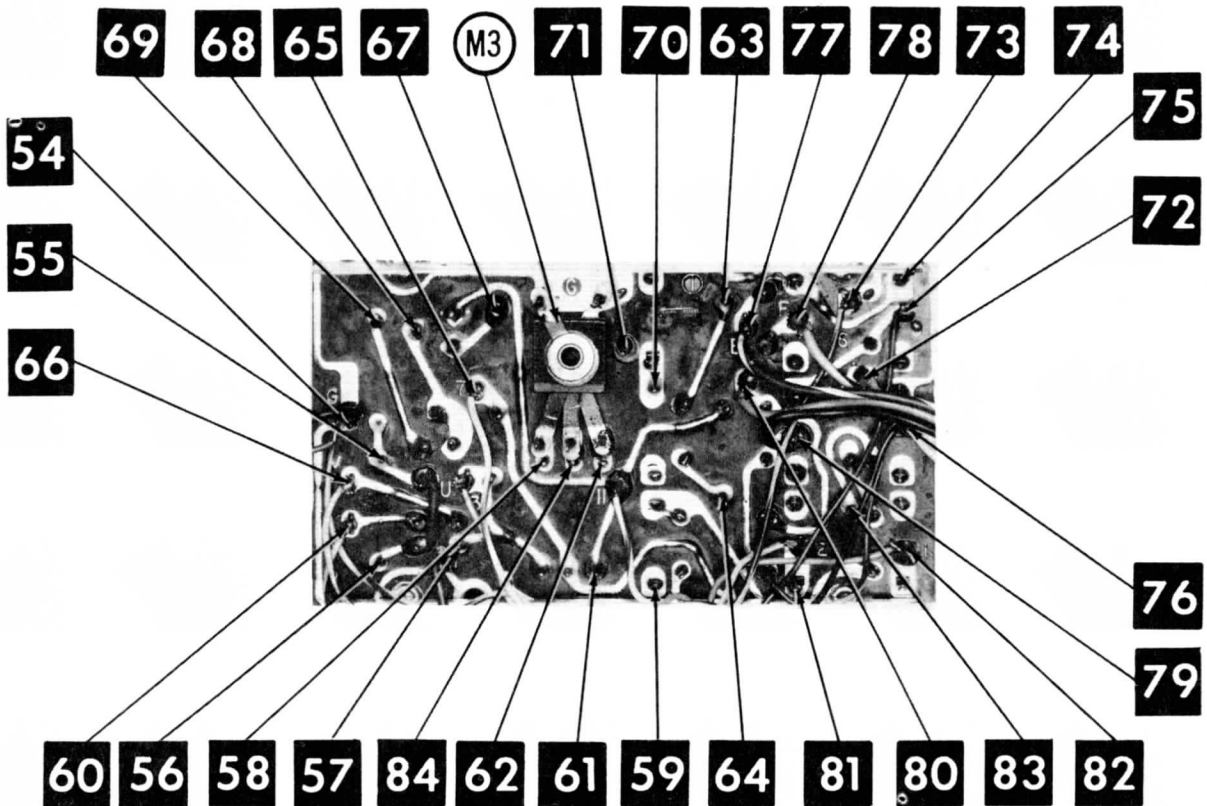


VIDEO AMP., OUTPUT, COLOR KILLER PRINTED BOARD



ARROWS INDICATING TUBE LOCATIONS ARE POINTING TO PIN 1 UNLESS OTHERWISE INDICATED

HORIZ. AFC, OSC. PRINTED BOARD



CONVERGENCE PRINTED BOARD

MISCELLANEOUS ADJUSTMENTS

HORIZONTAL SWEEP CIRCUIT ADJUSTMENTS

Suggested Alignment Tools: B1, R-G-1, R-G-2
GENERAL CEMENT #8282, 8606, 8606-L, 9295, 9440
WALSCO #2526, 2543, 2544, 2545

Connect a 0-500MA meter in series with the cathode circuit of the Horizontal Output tube (V12). Connect a .47mfd capacitor across the meter terminals. Connect a 0-1500 microammeter in series with the cathode circuit of the HV Regulator (V16). Connect the Vertical Amp. of the scope to point ⊗ . Low side to chassis. Connect the DC probe of the VTVM thru a high voltage probe to the High Voltage Rectifier "cup". Common to chassis.

Set the Focus to the center of its range. Set the High Voltage Adjust control at two thirds clockwise rotation.

Tune the receiver to a station signal and synchronize the picture. Adjust the Horizontal Hold (Waveform Slug) for a waveform similar to Fig. 11 with the round and sharp peaks at equal amplitudes. Keep the picture in sync during this adjustment with the Horizontal Frequency (B3).

Adjust the Horizontal Linearity Slug (B4) for MINIMUM current indication on the 500MA meter, not to exceed 200MA.

Adjust the High Voltage Adjust for 24KV on the VTVM. Check the current reading on the 0-1500 microammeter. It should not exceed 850 microamps.

AGC ADJUSTMENT

Tune in the strongest station signal in the area. Connect the Vertical Amp. of the scope thru a low capacity probe to point ⊗ . Common to chassis. Adjust the AGC control for 11 volts peak to peak on the scope.

COLOR AFC ALIGNMENT

Set the Tint control to the center of its range. Turn the Killer control fully counterclockwise. Connect the DC probe of the VTVM thru 470K to pin 1 (cathode) of the Phase Detector (V19). Common to chassis. Connect the Color Bar Generator to the antenna terminals. Connect a short clip lead from pin 1 (grid) of the Burst Amplifier to chassis. Adjust A15 for maximum deflection on the VTVM. If no reading is obtained the 3.58 MC Osc. is not operating, in which case A17 should be adjusted to start the Osc. and make the color lock in on the screen. Adjust A15 for maximum deflection.

Adjust A16 for maximum deflection on the VTVM making sure that the 3.58MC Osc. is running and locked in.

Remove the clip lead from the grid of the Burst Amplifier. Connect clip lead from TP-1 to chassis. Disconnect VTVM from pin 1 of the Phase Detector. Adjust A17 for zero beat while observing the screen. (Color bars will stand still on the screen or drift very slowly).

Remove the clip lead from TP-1 and repeat adjustment of A17 using a low chroma low level signal. Adjust for zero beat and best hold.

Connect the Vertical Amp. of scope to TP-2. Low side to chassis. Observe bar pattern on scope and retouch A16 if necessary to obtain proper response curve similar to R-Y signal in Fig. 12 with equal change when rotating the Tint control from one extreme to the other. Return the Tint control to the center of its range. Move the scope connection to TP-4. Check for B-Y signal as shown in Fig. 12. Move the scope connection to TP-3. Check for G-Y signal as shown in Fig. 12.

With a strong black and white signal, adjust the Killer Threshold control so that all color disappears from the picture. Recheck with a color signal to make sure that the setting is not killing on color.

PRELIMINARY CONVERGENCE ADJUSTMENT

Connect the RF output of a white dot generator to the antenna terminals. Preset all Red, Green and Blue Horizontal and Vertical Convergence controls and coils to the center of their ranges.

Adjust the Red, Green and Blue Convergence Magnets and the Lateral Magnet to produce a white dot in the center of the screen. Keep the receiver in sharp focus while making these adjustments. The Convergence Magnets may be reversed to produce a greater range of adjustment if necessary.

COLOR PURITY ADJUSTMENTS

If necessary, demagnetize picture tube and associated components. Set the red tabs of the Purity Magnet together.

Loosen the yoke clamp and slide the deflection yoke to the rear as far as possible. Shunt TP-3 & TP-4 to chassis thru individual 100K Resistors.

Slide the Purity Magnet around the neck of the picture tube and at the same time spread the red tabs apart to produce a uniform red screen area at the center of the screen. Move the yoke forward and adjust for best overall red screen without neck shadow. Tighten yoke clamp.

GRAY SCALE ADJUSTMENT

Turn the Bias and Screen controls fully counterclockwise. Move the "Normal-Service" switch on the rear apron of the chassis to "Service" position. Advance the Screen controls so that each control just produces a horizontal line on the screen.

If any one of the Screen controls fail to provide a line, advance Bias control slightly. Readjust other screen controls so the screen is just lighted. Return the "Normal-Service" switch to "Normal". Alternately adjust the Red and Green Video Drive controls to produce a normal black and white picture. Check the picture from lowlight areas to highlight areas at all brightness levels to check the picture for proper tracking.

VERTICAL CONVERGENCE ADJUSTMENTS

Recheck the "Preliminary Convergence Adjustments" for correct setting of the Red, Green and Blue Magnets and Lateral Magnet to produce a white dot in the center of the screen. Loosen the two screws holding the Convergence Board, slide the board to the left and remove. Fasten the board to the two screws provided on the top rear rail of the cabinet with the controls facing forward so that convergence adjustments may be made from the front of the receiver. Slots are provided in the lower edge of the board for making this mounting.

Switch the dot generator to vertical bars. Connect a 100K Resistor from TP-4 to chassis.

Referring to the center vertical bar, adjust the Vertical R-G Master Amp. control to converge the red and green bars at the bottom end. Adjust the Vertical R-G Master Tilt to converge the red and green bars at the top end. Touch up both controls for best convergence along the entire length of the center vertical bar.

Switch the generator to horizontal bars. Referring to the center portion of the lower horizontal bars, adjust the Vertical R-G Differential Amp. control to converge the red and green bars. Adjust the Vertical R-G Differential Tilt control to converge the center portion of the top horizontal green and red bars. Retouch both controls until the center portion of all red and green horizontal bars are converged.

Switch the generator to the dot or cross hatch pattern and converge the center area of the screen using the convergence magnets. Switch back to the horizontal bars. Remove the 100K Resistor from point TP-4. Advance the Vertical Blue Amp. control to cause displacement of the center portion of the bars at the top and bottom of the screen. Adjust the Vertical Blue Tilt control to cause the vertical displacement of the center portion of the horizontal bars to be equal at top and bottom. Switch the generator to dots or cross hatch and again converge the center area of the screen. Retouch the Vertical Blue Tilt and Amp. controls for best convergence along the vertical center of the screen.

HORIZONTAL CONVERGENCE ADJUSTMENTS

Switch the generator to cross hatch pattern and recheck convergence in the center area.

Adjust B-1 to make the blue line at the right center a straight line.

Adjust B-2 to make the blue line from the center to the left side of the screen a straight line.

Adjust R-G-1 to make the vertical lines at the right side of the screen converge.

Adjust R-G-2 to make the horizontal red and green lines at the right side converge.

Adjust B-1 to make the blue line at the right center fall on the converged red and green line. Retouch R-G-1 for convergence of the vertical lines at the right side.

Adjust R-G-3 to make vertical lines at the left side converge. Adjust R-G-4 to make the red and green horizontal lines at the left side of the screen converge. After adjusting R-G-4 repeat the adjustment of R-G-3 to compensate for any interaction. Retouch B-2 to make the blue line at the left center fall on the converged red and green lines.

The screen should now show proper convergence.

After completion of the vertical and horizontal convergence, repeat the Gray Scale Adjustment.

ALIGNMENT INSTRUCTIONS (cont)

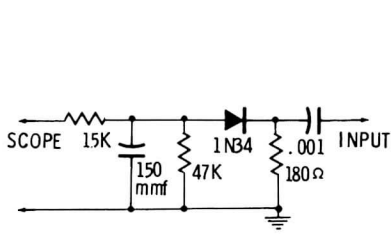


FIG. 1

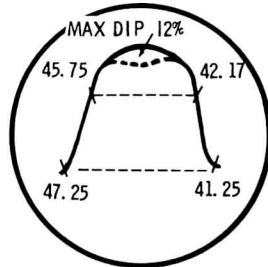


FIG. 2

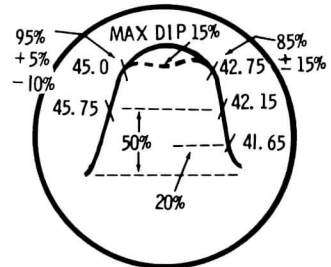
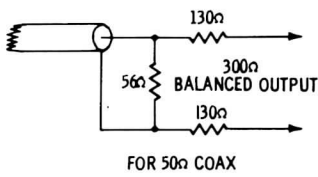
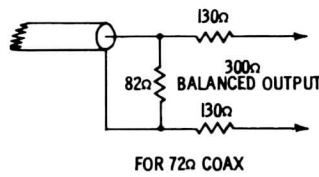


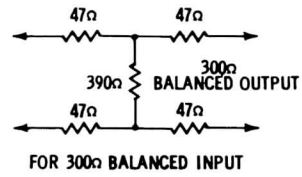
FIG. 3



FOR 50Ω COAX



FOR 72Ω COAX



FOR 300Ω BALANCED INPUT

FIG. 4

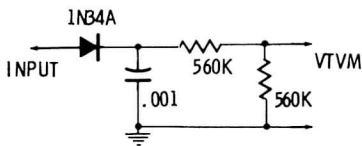


FIG. 5

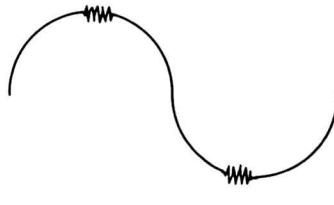


FIG. 6

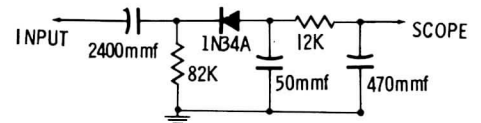
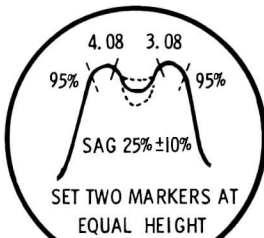
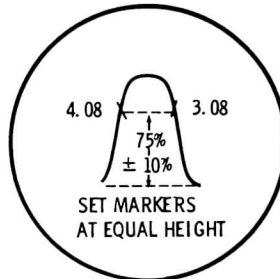


FIG. 7



SET TWO MARKERS AT EQUAL HEIGHT

FIG. 8



SET MARKERS AT EQUAL HEIGHT

FIG. 9

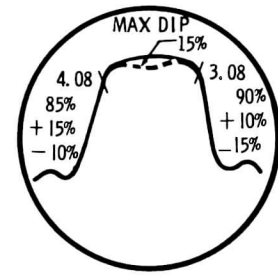


FIG. 10

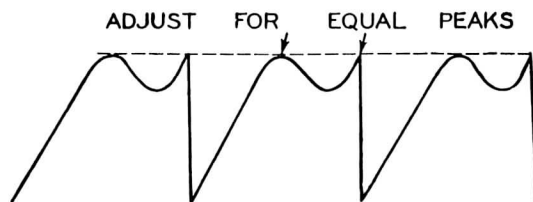


FIG. 11

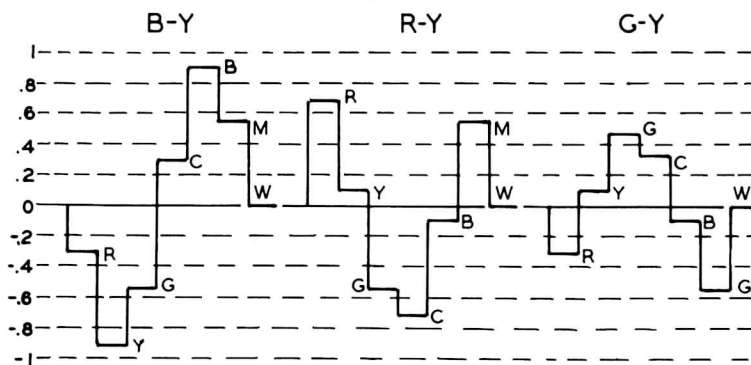
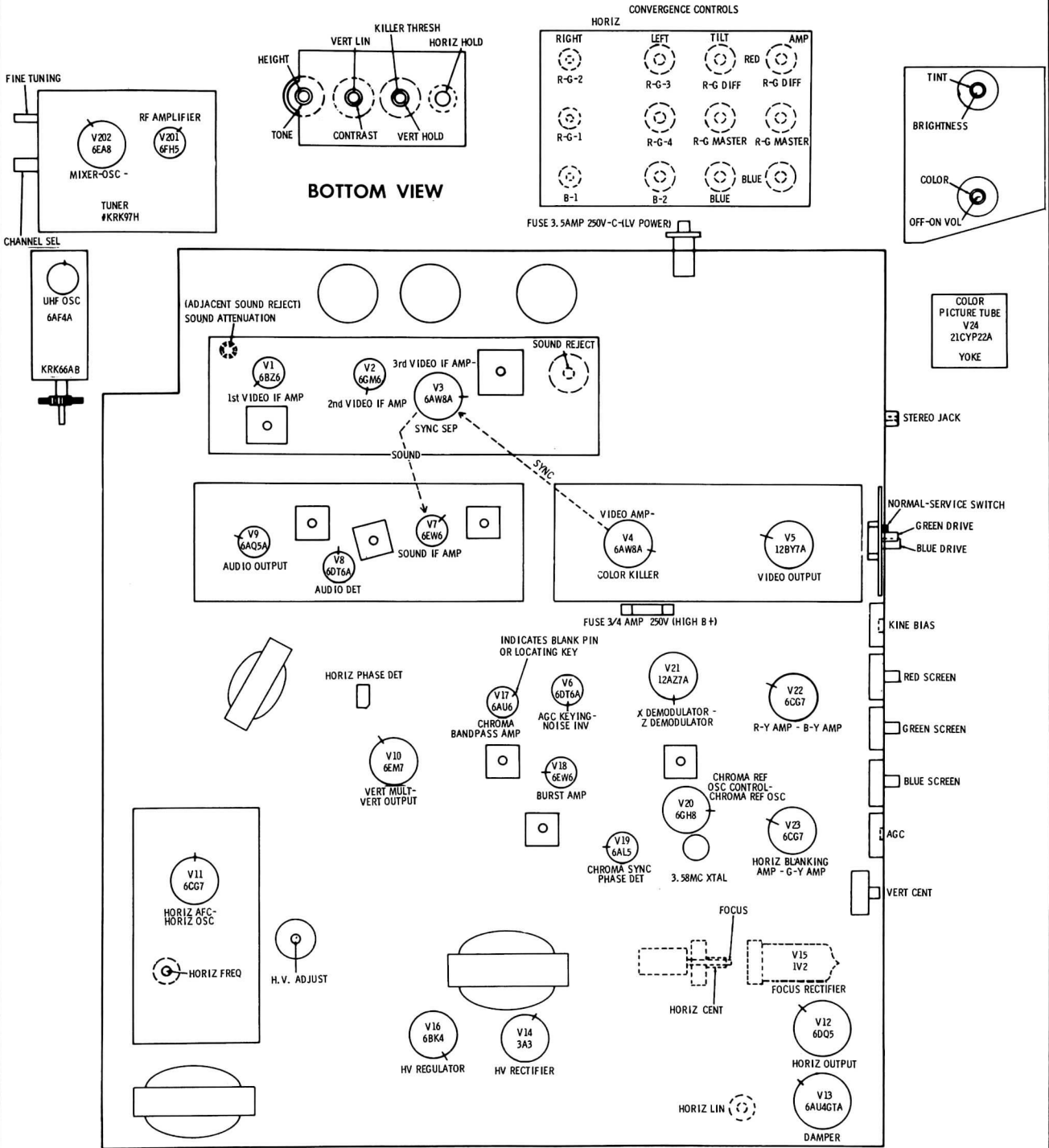


FIG. 12

RCA VICTOR CHASSIS CT10A,
B, C, D, E, F, T, W, CRK3F, CTP7B

FOLDER 2

TUBE PLACEMENT CHART



TV PARTS LIST AND DESCRIPTIONS

TUBES

GENERAL ELECTRIC			RAYTHEON			SYLVANIA		
ITEM No.	USE	TYPE	ITEM No.	USE	TYPE			
V1	1st Video IF Amp.	6BZ6	V14	HV Rectifier	3A3			
V2	2nd Video IF Amp.	6GM6	V15	Focus Rectifier	1V2			
V3	3rd Video IF Amp. - Sync Sep.	6AW8A	V16	HV Regulator	6BK4			
V4	Video Amp. - Color Killer	6AW8A	V17	Chroma Bandpass Amp.	6AU6			
V5	Video Output	12BY7A	V18	Burst Amp.	6EW6			
V6	AGC Keying - Noise Inv.	6DT6A	V19	Chroma Sync Phase Det.	6AL5			
V7	Sound IF Amp.	6EW6	V20	Chroma Ref. Osc. Control - Chroma Ref. Osc.	6GH8			
V8	Audio Det.	6DT6A	V21	X Demodulator - Z Demodulator	12AZ7A			
V9	Audio Output	6AQ5A	V22	R-Y Amp. - B-Y Amp.	6CG7			
V10	Vert. Mult. - Vert. Output	6EM7	V23	Horiz. Blanking Amp. - G-Y Amp.	6CG7			
V11	Horiz. AFC - Horiz. Osc.	6CG7						
V12	Horiz. Output	6DQ6						
V13	Damper	6AU4GTA						

PICTURE TUBE

ITEM No.	REPLACEMENT DATA				NOTES
	RCA Victor PART No.	GENERAL ELECTRIC PART No.	RCA PART No.	RAYTHEON PART No.	
V24	2ICYP22A		2ICYP22A ①		① Aluminized

ELECTROLYTIC CAPACITORS

ITEM No.	RATING		REPLACEMENT DATA						NOTES
	CAP.	VOLT.	RCA Victor PART No.	AEROVOX PART No.	CORNELL-DUBILIER PART No.	MALLORY PART No.	PYRAMID PART No.	SPRAGUE PART No.	
C1	180	250	106364	AFH1-31-75	XA0315	FP131	TMS-1480	TVL-1540	
C2A	160	250	109240				TMT-3259	TVLS-3711.2*	
B	20	450					TD-50-50	TVA-1709	
C	50	75							
D	50	50							
C3A	80	450	109239	AFH4-86-25		FP385.5	TMQ-4589	TVLS-3744.5*	
B	10	450				TT25X20		TVA-1716	
C	50	450							
D	20	25							
C4	50	150	109227	PRSL480	BR5015	TC49	TD-50-150	TVA-1414	
C5	2	350	78920	PRSL705	BR245	TC595	TD-2-450	TVA-1701	
C6	40	25	105758	PRSL470	BR4015	TC48	TD-40-150	TVA-1413	
C7	8	10NP	102847	PRSR7315	BRR8-150	TCN108		TVANS-1112*	
C8	40	50NP	106883	PRSR7450	BR4015	TC492 †		TVANS-1308.1*	

* Not normally in distributor's stock. Available thru distributor on order to manufacturer.

† Use 2 units. Connect negative terminals together. Connect positive terminals into circuit the same as the original non-polarized unit.

FIXED CAPACITORS

Capacity values given in the rating column are in mfd. for Paper Capacitors, and in mmfd. for Mica and Ceramic Capacitors.

ITEM No.	RATING		REMARKS	REPLACEMENT DATA					
				AEROVOX PART No.	CENTRALAB PART No.	CORNELL-DUBILIER PART No.	ELMENCO PART No.	MALLORY PART No.	SPRAGUE PART No.
C9	10000			BPD-01	DD-103	BYA10S1	CCD-103	B-110	5HK-S10
C10	9	NPO 5%		NPO-S1 10	TCZ-10	C10V9C	CCTO-100	CNO-410	10TCC-Q10
C11	150	NPO 5%			DTZ-150			CNO-315	10TCC-T15
C12	1000			BPD-001	DD-102	BYA10D1	CCD-102	B-210	5HK-D10
C13	1000			BPD-001	DD-102	BYA10D1	CCD-102	B-210	5HK-D10
C14	.1	200V		P288N-1	DF-104	CUB2P1	2DP-3-104	GEM-201	2TM-P10
C15	1000			BPD-001	DD-102	BYA10D1	CCD-102	B-210	5HK-D10
C16	680	N2200 10%	#102237						
C17	1000			BPD-001	DD-102	BYA10D1	CCD-102	B-210	5HK-D10
C18	1000			BPD-001	DD-102	BYA10D1	CCD-102	B-210	5HK-D10
C19	1000			BPD-001	DD-102	BYA10D1	CCD-102	B-210	5HK-D10
C20	1000			BPD-001	DD-102	BYA10D1	CCD-102	B-210	5HK-D10
C21	1000			BPD-001	DD-102	BYA10D1	CCD-102	B-210	5HK-D10
C22	330			BPD-00033	DD-331	L10T33	CCD-331	B-333	10TS-T33
C23	1000			BPD-001	DD-102	BYA10D1	CCD-102	B-210	5HK-D10
C24	1000			BPD-001	DD-102	BYA10D1	CCD-102	B-210	5HK-D10
C25	1000			BPD-001	DD-102	BYA10D1	CCD-102	B-210	5HK-D10
C26	560	N1500 5%	#109142						
C27	2200		(4700) †	BPD-0022	DD-222	BYA10D22	CCD-222	B-222	5HK-D22
C28	100	N033 10%	#105304						
C29	10	N150	#105303						10TCP-Q10
C30	22	N150	#109259						10TCP-Q22
C31	1500			BPD-0015	DD-152	BYA10D15	CCD-152	B-215	5HK-D15
C32	10000			BPD-01	DD-103	BYA10S1	CCD-103	B-110	5HK-S10
C33	.1	200V		P288N-1	DF-104	CUB2P1	2DP-3-104	GEM-201	2TM-P10
C34	.22	200V		P288N-22		CUB2P22	2DP-4-224	GEM-2022	2TM-P22
C35	390			DI-390	DD-391	L10T39	CCD-391	B-339	10TS-T39
C36	6800			BPD-0068	DD-682	BYA10D68	CCD-682	B-268	5HK-D68
C37	.1	400V		F488N-1	DF-104	CUB4P1	4DP-3-104	GEM-401	4TM-P10
C38	150			DI-150	DD-151	L10T15	CCD-151	B-315	10TS-T15
C39	56	6000V		HVD-80-56	DD80-560		8CCD-560	6DY-456	75GA-Q56
C40	1000			BPD-001	DD-102	BYA10D1	CCD-102	B-210	5HK-D10
C41	1000			BPD-001	DD-102	BYA10D1	CCD-102	B-210	5HK-D10
C42	1.5	N3300 ± .25mmf	Note 1 #103411						
C43	10	N150	#105303						
C44	5	N1500 5%	#106384						10TCP-Q10
C45	880	10%		DI-680	DD-681	5R5T68	CCD-681	GP368	10TS-T68
C46	10000			BPD-01	DD-103	BYA10S1	CCD-103	B-110	5HK-S10
C47	560			DI-560	DD-561	L10T56	CCD-561	B-356	10TS-T56
C48	47			DI-47	DD-470	L10Q47	CCD-470	GP447	10TS-Q47
C49	47		Note 1	DI-47	DD-470	L10Q47	CCD-470	GP447	10TS-Q47
C50	10000			BPD-01	DD-103	BYA10S1	CCD-103	B-110	5HK-S10
C51	10000			BPD-01	DD-103	BYA10S1	CCD-103	B-110	5HK-S10
C52	10000			BPD-01	DD-103	BYA10S1	CCD-103	B-110	5HK-S10
C53	.047	200V		P288N-047	DD-503	CUB2S47	4DP-3-473	GEM-4147	2TM-S47
C54	6800			BPD-0068	DD-682	BYA10D68	CCD-682	B-268	5HK-D68

TV PARTS LIST AND DESCRIPTIONS (Continued)

FIXED CAPACITORS (cont)

ITEM No.	RATING	REMARKS	REPLACEMENT DATA					
			AEROVOX PART No.	CENTRALAB PART No.	CORNELL-DUBILIER PART No.	ELMENCOPART No.	MALLORY PART No.	SPRAGUE PART No.
C55	1000		BPD-001	DD-102	BYA10D1	CCD-102	B-210	5HK-D10
C56	4700		BPD-0047	DD-472	BYA10D47	CCD-472	B-247	5HK-D47
C57	.0027 1600V 10%				DPMS-16D3	16DP-2-302	GEM-1623	MB-D3
C58	3300		BPD-0033	DD-332	BYA10D33	CCD-332	B-233	5HK-D33
C59	150		DI-150	DD-151	L10T15	CCD-151	B-315	10TS-T15
C60	1000		BPD-001	DD-102	BYA10D1	CCD-102	B-210	5HK-D10
C61	2200		BPD-0022	DD-222	BYA10D22	CCD-222	B-222	5HK-D22
C62	1500		BPD-0015	DD-152	BYA10D15	CCD-152	B-215	5HK-D15
C63	.027 600V 10%		P684CM-027		DPMS6S27	6DP-3-273	GEM-1613	6PS-S27
C64	.0068 400V 10%		V84CD468-10%		PM6D47	6DP-1-682	GEM-16268	6TM-D68
C65	680		DI-680	DD-681	BYA10T68	CCD-681	B-368	10TS-T68
C66	.22 400V		P488N-22		CUB4P22	4DP-5-224	GEM-4022	4TM-P22
C67	.1 600V		P688N-1	DF-104	CUB6P1	6DP-4-104	GEM-601	6TM-P10
C68	680		DI-680	DD-681	BYA10T68	CCD-681	B-368	10TS-T68
C69	.001 2000V 10%							
C70	.0082 1000V 10%		P1084CM-0082		DPMS16D8	16DP-3-802	GEM-16282	MB-D8
C71	.47 200V		P288N-47		CUB2P47	2DP-5-474	GEM-2047	2TM-P47
C72	47 NPO 10%		NPO-DI 47	DTZ-47	C10Q47C	CCTO-470	CNO-447	10TCC-Q47
C73	68 NPO 10%		NPO-DI 68	DTZ-68	C10Q68C	CCTO-680	CNO-468	10TCC-Q68
C74	27 N750			TCN-27	C10Q27U	CCTN-270	CN7-427	10TCU-Q27
C75	820	Note 1	DI-820	DD-821	BYA10T82	CCD-801	B-382	10TS-T82
C76	820		DI-820	DD-821	BYA10T82	CCD-821	B-382	10TS-T82
C77	1000		BPD-001	DD-102	BYA10D1	CCD-102	B-210	5HK-D10
C78	.1 200V		P288N-1	DF-104	CUB2P1	2DP-3-102	GEM-201	2TM-P10
C79	390 1000V 5%	#107286				VCM-20-391J		
C80	.01 600V 5%		V84C6S1-5%		PM6S1			
C81	680 5%		1469-00068		5R5T68	CM-19B-681J	MCJ249	MS-368
C82	.0015 600V 10%		V84C6D15-10%		PM6D15	6DP-1-152	GEM-16215	
C83	.01 600V		P688N-01	D6-103	CUB6S1	6DP-2-103	GEM-611	6TM-S10
C84	.1 600V		P688N-1	DF-104	CUB6P1	6DP-4-104	GEM-601	6TM-P10
C85	.047 600V		P688N-047	DD-503	CUB6S47	6DP-3-473	GEM-6147	6TM-S47
C86	.047 600V		P688N-047	DD-503	CUB6S47	6DP-3-473	GEM-6147	6TM-S47
C87	.1 200V		P288N-1	DF-104	CUB2P1	2DP-3-104	GEM-201	2TM-P10
C88	130 6000V	#109229						
C89	3300		BPD-0033	DD-330	BYA10D33	CCD-332	B-233	5HK-D33
C90	22		DI-22	DD-220	L10Q22	CCD-220	GP422	10TS-Q22
C91	.15 200V 10%		V84C2P15-10%		PM2P15	2DP-3-154	GEM-2015	2TM-P15
C92	.12 600V 10%							
C93	270 2000V			DD30-271	HVB20T27	3CCD-271	2HV-327	30GA-T27
C94	47 4000V		HVD-60-47	DD60-470	HVB50Q47	6CCD-470	6DY-447	50GA-Q47
C95	100 3000V		HVD-30-100	DD30-101	HVB30T1	3CCD-101	3DY-310	30GA-T10
C96	560 2500V		HVD-30-560	DD30-561		3CCD-561	3DY-356	30GA-T56
C97	560 2500V		HVD-30-560	DD30-561		3CCD-561	3DY-356	30GA-T56
C98	10000		BPD-01	DD-103	BYA10S1	CCD-103	B-110	5HK-S10
C99	270		DI-270	DD-271	L10T27	CCD-271	B-327	10TS-T27
C100	10000		BPD-01	DD-103	BYA10S1	CCD-103	B-110	5HK-S10
C101	.047 200V		P288N-047	DD-503	CUB2S47	4DP-3-473	GEM-4147	2TM-S47
C102	18 NPO 10%		NPO-SI 18	TCZ-18	C10Q18C	CCTO-180	CNO-418	10TCC-Q18
C103	120 N750 10%		N750-SI 120	TCN-120	C10T12U	CCTN-121	CN7-312	10TCU-T12
C104	10000		BPD-01	DD-103	BYA10S1	CCD-103	B-110	5HK-S10
C105	1000		BPD-001	DD-102	BYA10D1	CCD-102	B-210	5HK-D10
C106	120 N2200 10%	#105242				*		
C107	330 5%		1469-00033		5R5T33	CM-19B-331J		MS-333
C108	330 5%		1469-00033		5R5T33	CM-19B-331J		MS-333
C109	10000		BPD-01	DD-103	BYA10S1	CCD-103	B-110	5HK-S10
C110	.1 200V		P288N-1	DF-104	CUB2P1	2DP-3-104	GEM-201	2TM-P10
C111	4 ±.5mmf				C10V4C			10TCC-V39
C112	10000		BPD-01	DD-103	BYA10S1	CCD-103	B-110	5HK-S10
C113	10000		BPD-01	DD-103	BYA10S1	CCD-103	B-110	5HK-S10
C114	15 NPO 10%		NPO-DI 15	DTZ-15	C10Q15C	CCTO-150	CNO-415	10TCC-Q15
C115	220 N750 10%		N750-DI 220	DTN-220	C10T22U	CCTN-221	CN7-322	10TCU-T22
C116	10 NPO 10%		NPO-DI 10	DTZ-10	C10Q1C	CCTO-100	CNO-410	10TCC-Q10
C117	82		DI-82	DD-820	L10Q82	CCD-820	GP482	10TS-Q82
C118	10000		BPD-01	DD-103	BYA10S1	CCD-103	B-110	5HK-S10
C119	1000 5%		1469-001		5R5D1	CM-19B-102J	MCJ255	MS-21
C120	10000		BPD-01	DD-103	BYA10S1	CCD-103	B-110	5HK-S10
C121	820		DI-820	DD-821	BYA10T82	CCD-821	B-382	10TS-T82
C122	330		DI-330	DD-331	L10T33	CCD-331	B-333	10TS-T33
C123	.22 400V		P488N-22		CUB4P22	4DP-5-224	GEM-4022	4TM-P22
C124	.01 600V		P688N-01	D6-103	CUB6S1	6DP-2-103	GEM-611	6TM-S10
C125	.15 400V		P488N-15		CUB4P15	4DP-4-154	GEM-4015	4TM-P15
C126	7 N150 2%	#109258				*		10TCP-V68
C127	33		DI-33	DD-330	L10Q33	CCD-330	GP433	10TS-Q33
C128	.01 600V		P688N-01	D6-103	CUB6S1	6DP-2-103	GEM-611	6TM-S10
C129	.15 400V		P488N-15		CUB4P15	4DP-4-154	GEM-4015	4TM-P15
C130	33		DI-33	DD-330	L10Q33	CCD-330	GP433	10TS-Q33
C131	10000		BPD-01	DD-103	BYA10S1	CCD-103	B-110	5HK-S10
C132	.01 600V		P688N-01	D6-103	CUB6S1	6DP-2-103	GEM-611	6TM-S10
C133	.15 400V		P488N-15		CUB4P15	4DP-4-154	GEM-4015	4TM-P15
C134	1000		BPD-001	DD-102	BYA10D1	CCD-102	B-210	5HK-D10
C135	1000		BPD-001	DD-102	BYA10D1	CCD-102	B-210	5HK-D10
C136	1000		BPD-001	DD-102	BYA10D1	CCD-102	B-210	5HK-D10
C137	.082 200V 10%		DPMS8S82		DPMS8S82	6DP-4-823	GEM-201	6PS-S82
C138	.1 200V 10%		V84C2P1-10%		PM2P1	2DP-3-104	GEM-201	2TM-P10
C139	.1 200V		P288N-1	DF-104	CUB2P1	2DP-3-104	GEM-201	2TM-P10
C140	.1 400V		P488N-1	DF-104	CUB4P1	4DP-3-104	GEM-401	4TM-P10
C141	.056 400V 10%		P684CM-057		DPMS6S56	6DP-3-563		4PS-S56
C142	10000		BPD-01	DD-103	BYA10S1	CCD-103	B-110	5HK-S10
C143	10000		BPD-01	DD-103	BYA10S1	CCD-103	B-110	5HK-S10
C144	47		DI-47	DD-470	L10Q47	CCD-470	GP447	10TS-Q47
C145	47 2000V 10%				HVA20Q47	VCM-20-470K	2DY-447	30TCY-Q50
C146	.047 600V		P688N-047	DD-503	CUB6S47	6DP-3-473	GEM-6147	6TM-S47
C147	.033 200V		P288N-033	DD-303	CUB6S33	4DP-2-333	GEM-4133	4PS-S33

RCA Victor Part Number.

† Alternate Value.

* Not normally in distributor's stock. Available thru distributor on order to manufacturer.

Note 1. May not be used in some versions.

TV PARTS LIST AND DESCRIPTIONS (Continued)

CONTROLS

ITEM No.	RATING		REPLACEMENT DATA					INSTALLATION NOTES	
	RESISTANCE	WATTS	RCA Victor PART No.	CENTRALAB PART No.	CLAROSTAT PART No.	CTS-IRC PART No.	MALLORY PART No.		
R1A	1meg		107581					Volume	Note 1
B	170K Tap								
R2A	500Ω		107582	F1-1			FA52L	Power Off-On	Note 1
B	Shaft			Not Req.			OF1250	Color Saturation	
R3A	1200Ω		107580	F1-7			UE4198	Tint	Note 2
B	250K			R2-34				Brightness	
R4A	1meg		109266					Vert. Hold	
B	1meg							Killer Threshold	
R5A	500Ω		109265					Contrast	
B	400Ω Tap								
R6A	100K							Vert. Linearity	
B	2.5meg		109267					Tone	
R7A	2.5meg							Height	
B	5000Ω		109475	TT-10	B47-5000-S	B11-114	PTA53L	Green Drive	
B	Shaft			Not Req.	Not Req.	TM4	Not Req.		
R8A	5000Ω		109475	TT-10	B47-5000-S	B11-114	PTA53L	Blue Drive	
B	Shaft			Not Req.	Not Req.	TM4	Not Req.		
R9A	500K		109469	TT-59	B47-500K-S	B11-133	PTA55L	Kine Bias	
B	Shaft			Not Req.	Not Req.	TM4	Not Req.		
R10A	1meg		105205	TT-69	B47-1meg-S	B11-137	SU-54	Red Screen	
B	Shaft			Not Req.	Not Req.	TM4	Not Req.		
R11A	1meg		105205	TT-69	B47-1meg-S	B11-137	SU-54	Green Screen	
B	Shaft			Not Req.	Not Req.	TM4	Not Req.		
R12A	1meg		105205	TT-69	B47-1meg-S	B11-137	SU-54	Blue Screen	
B	Shaft			Not Req.	Not Req.	TM4	Not Req.		
R13A	7500Ω		109236	AB-13	A47-7500-S	B11-115	TA53L	AGC	
B	Shaft			AK-1	FKS-1/4	TM4	Not Req.		
R14	10Ω	2(WW)	109242					Vert. Centering	
R15	10Ω	2(WW)	109243					Horiz. Centering	
R16A	500K		105210	TT-59	B47-500K-S	B11-133	SU-50	Hi Voltage Adjust	
B	Shaft			Not Req.	Not Req.	TM4	Not Req.		
R17	10K	1/4	106388					Adjacent Sound Adjust	
R18	750Ω		105297				PTA751L	Sound Reject	
R19	150Ω	2(WW)	109472					Vert. R-G Diff. Amp	
R20	120Ω	2(WW)	106320					Vert. R-G Master Amp	
R21	30Ω	2(WW)	106321					Vert. Blue Amp	
R22	30Ω	2(WW)	106321					Vert. R-G Diff. Tilt	
R23	60Ω	2(WW)	105059				PFL-60A	Vert. R-G Master Tilt	Note 3
R24	60Ω	2(WW)	105059				PFL-60A	Vert. Blue Tilt	
R25	60Ω	2(WW)	105059				PFL-60A	Left Horiz. R-G-3	
R26	60Ω	2(WW)	105059				PFL-60A	Left Horiz. R-G-4	
R27	120Ω	2(WW)	106320				PFL-60A	Left Horiz. B-2	

■ "STA-LOC" Equivalent: FB152R, RU254L, OF1250, IS1937
 Note 1: Chassis CTC10A, B, C, D, T, U use dual (Part #107412).
 Note 2: Chassis CTC10A, B, C, D, T, U use dual (Part #107413).
 Note 3: Some versions may use 30Ω (Part #106321).

RESISTORS

All wattages 1/2 watt, or less, unless otherwise listed.

ITEM No.	RATING	REPLACEMENT DATA			ITEM No.	RATING	REPLACEMENT DATA		
		IRC PART No.	WORKMAN TV PART No.	REMARKS			IRC PART No.	WORKMAN TV PART No.	REMARKS
R28	470Ω				R74	6800Ω 3W	PW5 6800Ω	3G 6800Ω	#105662
R29	2.2meg				R75	470K			
R30	100K				R76	560K			
R31	10meg				R77	470K			
R32	560K				R78	27K 1W			
R33	4700Ω				R79	470Ω			
R34	1000Ω				R80	47K			
R35	150Ω				R81	470Ω 1W			
R36	47Ω				R82	470Ω 1W			
R37	220K				R83	22K			
R38	1500Ω 1W				R84	470K			
R39	150K				R85	100K			
R40	150K			† Matched Pair	R86	100K			
R41	4.7meg				R87	47K			
R42	100Ω				R88	390K			
R43	68Ω				R89	390K			
R44	470Ω				R90	100K			
R45	5600Ω 5W	PW5 5600Ω	5G 5600Ω	#105222	R91	39K			
R46	150Ω				R92	390K			
R47	8200Ω				R93	680K			
R48	12K				R94	2.2meg			
R49	10K				R95	1000Ω			
R50	12K 4W	PW5 12000Ω	4G 12000Ω	#109250	R96	2.2meg			
R51	220Ω				R97	100K			
R52	330K				R98	150K			
R53	47K 1W				R99	100K			
R54	56Ω				R100	47K			
R55	1500Ω				R101	4700Ω 3W	PW5 4700	3G 4700Ω	#104885
R56	1800Ω				R102	8200Ω 2W			
R57	100K				R103	150K			
R58	330K				R104	27K			
R59	68K				R105	47K			
R60	100K				R106	1000Ω			
R61	22K 2W				R107	180K			
R62	220Ω				R108	150K 1W			
R63	1000Ω				R109	68K			
R64	820K			* 470K	R110	27K 1W			
R65	33K 1W			* * 220K	R111	33K 2W			
R66	100K				R112	100K			
R67	560K				R113	10meg			
R68	2700Ω				R114	100Ω			
R69	1200Ω				R115	47Ω			
R70	22K				R116	100K 1W			
R71	39K				R117	150K 1W			
R72	470K				R118	16K 7W	PW10 16000Ω	7G 16000Ω	#106365
R73	47K				R119	1meg 2W			

RCA VICTOR CHASSIS CTC10A, B, C, D, E, F, T, TU, W, CRK3F, CTP7B

FOLDER 2

RESISTORS (cont)

ITEM No.	RATING	REPLACEMENT DATA			ITEM No.	RATING	REPLACEMENT DATA		
		IRC PART No.	WORKMAN TV PART No.	REMARKS			IRC PART No.	WORKMAN TV PART No.	REMARKS
R120	3.6Ω				R160	3900Ω 1W			†Matched Pair
R121	22meg 2W				R161	3900Ω 1W†			
R122	22meg 2W				R162	1meg			
R123	22meg 2W				R163	15K 2W			
R124	100K				R164	120K			
R125	1.5meg 1W				R165	470K			
R126	1.5meg 1W†			†Matched Pair	R166	1meg			
R127	10K				R167	15K 2W			
R128	270Ω				R168	120K			
R129	270Ω				R169	470K			
R130	3.8Ω				R170	5600Ω 3W	PW5 560Ω	3G 560Ω	#109249
R131	4700Ω 2W			#109454	R171	100K 2W			
R132	10meg				R172	3300Ω			
R133	150K				R173	1meg			
R134	47K				R174	47K			
R135	3.3meg				R175	15K 2W			
R136	15K				R176	120K			
R137	220K				R177	470K			
R138	470Ω				R178	100Ω 1W			
R139	390Ω				R179	100Ω 1W			
R140	820Ω				R180	100Ω 1W			
R141	100K				R181	82Ω 1W			
R142	47K				R182	12K 4W	PW5 12000Ω	5W SQ 12000Ω	
R143	1000Ω				R183	5600Ω 5W	PW5 5600Ω	5G 5600Ω	#105222
R144	39K				R184	27K 4W	PW5 27000Ω	4G 27000Ω	#105227
R145	5.6meg				R185	2700Ω			
R146	470K				R186	100K 2W			
R147	470K†			†Matched Pair	R187	100K 2W			
R148	8.2meg				R188	100K 2W			
R149	220Ω				R189	56K			
R150	33K 1W				R190	3300Ω 7W	PW10 3300Ω	7G 3300Ω	#109471
R151	1500Ω				R191	22K			
R152	68K 1W				R192	1800Ω 10W	PW10 1800Ω	10W SQ 1800Ω	#94124
R153	680Ω				R193	1800Ω 10W	PW10 1800Ω	10W SQ 1800Ω	#94124
R154	27K				R194	22K 1W			
R155	47K				R195	33K 1W			
R156	8200Ω				R196	75Ω (Cold)			#107291
R157	47K 1W				R197	820K			
R158	36Ω 1W				R198	4700Ω			
R159	820Ω 1W				R199	47Ω			

* Alternate Value.

† May not be used in some versions.

RCA Victor Part Number.

COILS (RF-IF)

ITEM No.	USE	REPLACEMENT DATA				NOTES
		RCA Victor PART No.	Merit PART No.	Miller PART No.	Stancor PART No.	
L1	1st Video IF	109252				① Wound on 1meg Resistor
L2	47.25MC Trap	109255				
L3	2nd Video IF	109253				② Wound on 1800Ω Resistor
L4	3rd Video IF	109254				
L5A	4th Video IF	105294				③ Wound on 39K Resistor
B	41.25MC Trap					
L6	RF Choke (12uh)	105308	BC-566	4622	RTC-8522	
L7	4.5MC Trap	105295				
L8	Peaking (62uh)	102201	① TV-193 *	6110 *	RTC-8573 *	* Parallel with 1meg Resistor
L9	RF Choke (1.8uh)	78466	BC-562	4604	RTC-8516	
L10	Peaking (180uh)	104904	TV-184	6180	RTC-8597	
L11	Peaking (180uh)	102196	② TV-184 Δ	6180 Δ	RTC-8597 Δ	Δ Parallel with 1800Ω Resistor
L12	Peaking (180uh)	104904	TV-184	6180	RTC-8597	
L13	Peaking (180uh)	71528	③ TV-183	6179	RTC-8596	
L14	Peaking (250uh)	101287	TV-185	6181	RTC-8598	
L15	Peaking (180uh)	102351	TV-184	6180	RTC-8597	
L16	RF Choke (12uh)	100441	BC-566	4622	RTC-8522	
L17	RF Choke (1.8uh)	109248	BC-562	4604	RTC-8516	
L18	RF Choke (1.8uh)	109248	BC-562	4604	RTC-8516	
L19	1st Sound IF	109261				
L20	2nd Sound IF	109262				
L21	Quadrature	106383				
L22	Chroma Takeoff	107290				
L23	Bandpass Trans.	105213				
L24	Burst Phase Detector Trans.	105214		6023		
L25	Reactance Tube Plate	105216				
L26	3.58MC Osc.	107837				
L27	RF Choke (1.1uh)	107296	BC-561	4602	RTC-8515	
L28	Peaking (620uh)	109257	TV-205			
L29	Peaking (620uh)	109257	TV-205	6146	RTC-8582	
L30	RF Choke (12uh)	100441	BC-566	4622	RTC-8522	
L31	RF Choke (12uh)	100441	BC-566	4622	RTC-8522	

COILS (SWEEP CIRCUITS)

ITEM No.	USE	REPLACEMENT DATA					
		RCA Victor PART No.	Merit PART No.	Miller PART No.	Rogers PART No.	Stancor PART No.	Thordarson PART No.
L32	Horiz. Osc.	109251					
L33	Horiz. Waveform	109237					
L34	Horiz. Linearity Coil .28MH-1MH	105196	TV-166 ①	6314	QRC109	RTC-8628	HS-8 WLC-6
L35	Right Horiz. Red/Grn #1 3.5MH-7.5MH	105065					
L36	Right Horiz. Red/Grn #2 2.5MH-4.5MH	105066					
L37	Right Horiz. Blue #1 Pri. 3.6MH-9.4MH Sec. .09MH-.15MH	109180					
L38	Green Coil *	109164					
L39	Blue Coil *	109164					
L40	Red Coil *	109164					
L41	Focus Coil	109264					

① Use original clip and slug.

* Part of Convergence Yoke Assembly.

FILTER

ITEM No.	CURRENT (Measured)	RATINGS		REPLACEMENT DATA
		DC RES.	INDUCTANCE (0 CURRENT 1000 Hz)	
L42	.420A	20Ω	.7 Hy.	RCA Victor PART No. 105195

TRANSFORM

ITEM No.	RATING			REPLACEMENT DATA	
	PRI.	SEC. 1	SEC. 2	RCA Victor PART No.	Merit PART No.
T1	117V @ 3A	150V @ 1.5A AC	6.3V @ 2A	109286	
	SEC. 3	SEC. 4	SEC. 5		
	6.3V @ 12.5A				

TRANSFORMERS

ITEM No.	USE	REPLACEMENT DATA	
		RCA Victor PART No.	Merit PART No.
T2	Vert. Output	109283	
T3	Yoke Horiz. (12MH) Vert. (33MH)	109457	
T4	Horiz. Output	109221	

TRANSFORMER (A)

ITEM No.	IMPEDANCE	REPLACEMENT DATA		
		RCA Victor PART No.	Merit PART No.	Stancor PART No.
T5	7600Ω	3-4Ω	10037	A-3020 A-3

SPEAKERS

ITEM No.	TYPE			REPLACEMENT DATA	
	SIZE	FIELD	V. C. IMP.	RCA Victor PART No.	QUAM PART No.
SP1	8"	PM	3-4Ω	107475 ①	8A21
SP2	3½"	PM	8-10Ω	102119	3A15T29
SP3	3½"	PM	8-10Ω	102119	3A15T29
	4" x 6"	PM	3-4Ω	107477 ②	
	6" x 9"	PM	3-4Ω	107304 ③	
	4"	PM	3-4Ω	107474 ④	

POWER

ITEM No.	RATING		REPLACEMENT DATA		
	CURRENT (Measured)	RCA Victor PART No.	RCA PART No.	SARKIS TARZU PART No.	Other
M1	.420A	106379 *			F-6
M2	.420A	106379 *			F-6
M3		105064 †			

FUSES

ITEM No.	TYPE	RATING	REPLACEMENT DATA		
			RCA Victor PART No.	FUSE	HOLDER
M4	C	3½A 250V	106357		109238
M5	3AG	3/4A 250V	34527		106356
M6		3" length of #26 wire			

SIGNAL

ITEM No.	ORIG. TYPE	REPLACEMENT DATA		
		RCA Victor PART No.	GENERAL ELECTRIC PART No.	RAYTHEM PART No.
M7		109474 *	6GCI *	
M8	1N64	76675B †		1N64
M9	1N64	76675B †		1N64

MISCELLANEOUS

ITEM No.	PART NAME	RCA Victor PART No.	Other
M10	Tuner	109342	(KRK97H) VHF
M11	Tuner	106499	(KRK66AB) UHF
	Tuner	109333	(KRK96E) VHF,
	Tuner	109334	(KRK96F) VHF,
	Tuner	109335	(KRK96H) VHF,
	Tuner	109340	(KRK97E) VHF

TV PARTS LIST AND DESCRIPTIONS (Continued)

FILTER CHOKE

ITEM No.	RATINGS			REPLACEMENT DATA					NOTES
	CURRENT (Measured)	DC RES.	INDUCTANCE (0 CURRENT 1000 Hz)	RCA Victor PART No.	Merit PART No.	Stancor PART No.	Thordarson PART No.	Triad PART No.	
L42	.420A	20Ω	.7 Hy.	105195		C-2328 ①			① Drill new mounting hole(s).

TRANSFORMER (POWER)

ITEM No.	RATING			REPLACEMENT DATA					NOTES
	PRI.	SEC. 1	SEC. 2	RCA Victor PART No.	Merit PART No.	Stancor PART No.	Thordarson PART No.	Triad PART No.	
T1	117V ① 3A	150V ② 1.5A AC	6.3V ③ 2A	109286					
	SEC. 3	SEC. 4	SEC. 5						
	6.3V ④ 12.5A								

TRANSFORMERS (SWEEP CIRCUITS)

ITEM No.	USE	REPLACEMENT DATA						NOTES
		RCA Victor PART No.	Merit PART No.	Rogers PART No.	Stancor PART No.	Thordarson PART No.	Triad PART No.	
T2	Vert. Output	109263						
T3	Yoke Horiz. (12MH) Vert. (33MH)	109457						
T4	Horiz. Output	109221						

TRANSFORMER (AUDIO OUTPUT)

ITEM No.	IMPEDANCE		REPLACEMENT DATA					NOTES
	PRI.	SEC.	RCA Victor PART No.	Merit PART No.	Stancor PART No.	Thordarson PART No.	Triad PART No.	
T5	7600Ω	3-4Ω	10037	A-3020	A-3849	26S48	S-9Z	

SPEAKER

ITEM No.	TYPE			REPLACEMENT DATA		NOTES
	SIZE	FIELD	V. C. IMP.	RCA Victor PART No.	QUAM PART No.	
SP1	8"	PM	3-4Ω	107475 ①	8A21	① Used in Models 211CHR976, 211CDR920-4 & U, 211CDR932-5-6 & U, 211CD920-4 & U
SP2	3½"	PM	8-10Ω	102119	3A15TZ9	② Used in Models 211CB822 & U, 211CD835-6-7 & U, 211CDR835-6-7 & U
SP3	3½"	PM	8-10Ω	102119	3A15TZ9	③ Used in Models 211CD865-6-7 & U, 211CDR886 & U, 211CDR904 & U, 211CDR896 & U, 211CDR896 & U, 211CDR865-6-7 & U, 211CDR904, 211CD855 & U, 211CD856 & U, 211CD857 & U
	4" x 6"	PM	3-4Ω	107477 ②		④ Used in Models 211CB812 & U
	6" x 9"	PM	3-4Ω	107304 ③		
	4"	PM	3-4Ω	107474 ④		

POWER RECTIFIERS

ITEM No.	RATING CURRENT (Measured)	REPLACEMENT DATA				NOTES
		RCA Victor PART No.	RCA PART No.	SARKIS TARZIAN PART No.	SYLVANIA PART No.	
M1	.420A	106379 *		F-6 *		* Silicon Type
M2	.420A	106379 *		F-6 *		† Selenium Type
M3		105064 †				

FUSES

ITEM No.	TYPE	RATING	REPLACEMENT DATA					
			RCA Victor PART No.		LITTELFUSE PART No.		BUSS PART No.	
			FUSE	HOLDER	FUSE	HOLDER	FUSE	HOLDER
M4	C	3½A 250V	106357	109238	33203.5 (C 3½A 250V)	346007	C 3½	HC 2½ to 3½
M5	3AG	3/4A 250V	34527	106356	313.750 (3AG 3/4A 250V)	357001	AGC 3/4	4405
M6		3" length of #26 wire						

SIGNAL DIODES

ITEM No.	ORIG. TYPE	REPLACEMENT DATA				NOTES
		RCA Victor PART No.	GENERAL ELECTRIC PART No.	RAYTHEON PART No.	SYLVANIA PART No.	
M7		109474 *	6GCL *			*Dual Selenium Diode, Common Cathode Type
M8	1N64	76675B †		1N64	1N64	†Crystal Diode, Sound Detector (Pigtall)
M9	1N64	76675B †		1N64	1N64	†Crystal Diode, Video Det. (Pigtall)

MISCELLANEOUS

ITEM No.	PART NAME	RCA Victor PART No.	NOTES
M10	Tuner	109342	(KRK97H) VHF with UHF Provisions, Chassis CTC10F
M11	Tuner	106499	(KRK86AB) UHF, Chassis CTC10F (Less Gears)
	Tuner	109333	(KRK90E) VHF, Chassis CTC10A
	Tuner	109334	(KRK90F) VHF, Chassis CTC10C
	Tuner	109335	(KRK90H) VHF, Chassis CTC10E
	Tuner	109340	(KRK97E) VHF with UHF Provisions, Chassis CTC10B

ITEM No.	PART NAME	P/
	Tuner	106
	Tuner	106
	Tuner	
	Tuner	
M12	Crystal	105
M13	Delay Line	106
M14	Switch	48*
M15	Magnet	103
M16	Magnet	105
M17	Purity Ring	79†
	Printed Board	106
	Printed Board	106
	Printed Board	106
	Printed Board	106
M18	Switch	107
M19	Switch	106
M20	Solenoid	107
M21	Solenoid	107
M22	Solenoid	107
M23	Solenoid	107
M24	Motor	107
	Gear	106
	Gear	107
	Gear	106
	Gear	107

High Voltage Lead
Shielded Hook-up Wire
General-use Unshielded Hook-up
Power Cord (Interlock Type) ...
300Ω Tuner Input Lead
300Ω Antenna Lead-in
Antenna Rotor Cable

RE
PAR

GENERAL

ITEM No.	USE
V25	1st-2nd 40KC Amp.
V26	3rd-4th 40KC Amp.
V27	40KC Driver - Motor Rev. Rect. - Volume Rect.
V28	Tint Relay Control Amp. - Color Relay Control Amp.

ITEM No.	RATING		RCA Victor PART No.
	CAP.	VOLT.	
C148A	40	200	109284
B	5	200	
C	500	50	

Capacit
Capac

ITEM No.	RATING	RES
C149	.1 200V	
C150	330	
C151	120	
C152	10000	
C153	10000	
C154	120	
C155	10000	
C156	120	
C157	.1 200V	
C158	120	
C159	10000	
C160	.1 200V	
C161	180 N750	
C162	.1 200V	
C163	880 10%	
C164	10000	
C165	.047 200V	
C166	880 10%	
C167	10000	
C168	.047 200V	
C169	680 10%	
C170	10000	
C171	.047 200V	
C172	680 10%	
C173	10000	

REPLACEMENT DATA		
RC T No.	WORKMAN TV PART No.	REMARKS
		†Matched Pair
5600Ω	3G 5600Ω	#109249
12000Ω	5W SQ 12000Ω	#94124
27000Ω	4G 27000Ω	#105222
		#105227
33000Ω	7G 33000Ω	#109471
18000Ω	10W SQ 18000Ω	#94124
18000Ω	10W SQ 18000Ω	#94124
		#107291

Victor Part Number.

NOTES
ound on Imeg Resistor
ound on 1800Ω Resistor
ound on 39K Resistor
arallel with Imeg Resistor
arallel with 1800Ω Resistor

Stancor PART No.	Thordarson PART No.	Triad PART No.
TC-8628	HS-8	WLC-6

Yoke Assembly.

DESCRIPTIONS (Continued)

COKE

PART DATA			NOTES
Stancor PART No.	Thordarson PART No.	Triad PART No.	
C-2328 ①			① Drill new mounting hole(s).

(POWER)

PART DATA			NOTES
Stancor PART No.	Thordarson PART No.	Triad PART No.	

KEEP CIRCUITS)

REPLACEMENT DATA				NOTES
Part No.	Stancor PART No.	Thordarson PART No.	Triad PART No.	

DIO OUTPUT)

PART DATA			NOTES
Part No.	Thordarson PART No.	Triad PART No.	
26S48	S-9Z		

NOTES			

Used in Models 211CHR976, 211CDR920-4 & U, 211CDR932-5-6 & U, 211CD920-4 & U
 Used in Models 211CB822 & U, 211CD835-6-7 & U, 211CDR835-6-7 & U
 Used in Models 211CD865-6-7 & U, 211CDR866 & U, 211CD904 & U, 211CD896 & U, 211CDR896 & U, 211CD865-6-7 & U, 211CDR904
 Used in Models 211CD855 & U, 211CD856 & U, 211CD857 & U, 211CD8812 & U

TIFIERS

SYLVANIA PART No.		NOTES

REPLACEMENT DATA			
ELFUSE RT No.	BUSS PART No.		
	HOLDER	FUSE	HOLDER
346007	C 3 1/2		HC 2 1/2 to 3 1/2
357001	AGC 3/4		4405

ODES

SYLVANIA PART No.		NOTES
1N64		

NEOUS

UHF Provisions, Chassis CTC10F
 Chassis CTC10F (Less Gears)
 Chassis CTC10A
 Chassis CTC10C
 Chassis CTC10E
 UHF Provisions, Chassis CTC10B

MISCELLANEOUS (cont)

ITEM No.	PART NAME	PART No.	NOTES
	Tuner	109341	(KRK97F) VHF with UHF Provisions, Chassis CTC10D
	Tuner	106499	(KRK66AA) UHF, Chassis CTC10E, D (Less Gears)
	Tuner		(KRK96T) VHF, Chassis CTC10T
	Tuner		(KRK97T) VHF with UHF Provisions, Chassis CTC10U
	Tuner		(KRK86AA) UHF, Chassis CTC10U
	Tuner		(KRK98C) VHF, Chassis CTC10W
M12	Crystal	105330	3.58MC
M13	Delay Line	105253	
M14	Switch	48760	Kine (Temp. Set-up), (DPDT Slide Type)
M15	Magnet	103172	Lateral Assembly
M16	Magnet	105024	Convergence (3 used)
M17	Purity Ring	79604	
	Printed Board	109224	Video IF, Less Tubes
	Printed Board	109223	Sound, Less Tubes
	Printed Board	109226	Picture, Less Tubes
	Printed Board	109225	Syncroguide, Less Tubes
	Printed Board	109165	Convergence, Less Tubes
M18	Switch	107634	Station Stopper
M19	Switch	109479	Touch Bar
M20	Solenoid	107550	Control Clutch Drive
M21	Solenoid	107550	Control Clutch Drive
M22	Solenoid	107550	Control Clutch Drive
M23	Solenoid	107550	Control Clutch Drive
M24	Motor	107580	Channel Selector, Reversible Drive
	Gear	106904	Control Drive (8 req'd) Nylon
	Gear	107551	Motor Drive (Brass)
	Gear	106889	Motor Drive (Steel)
	Gear	106893	Off-On Volume, Color or Tint, Channel Selector Drive Shaft (Nylon)
	Gear	107552	Off-On Volume, Color or Tint, Control Drive (Nylon)
	Gear	107558	Tuner Drive and Control Drive Idler (Brass)

WIRING DATA

High Voltage Lead	Use BELDEN No. 8869
Shielded Hook-up Wire	Use BELDEN No. 8885 (Single Conductor) 8738 (Two Conductor)
General-use Unshielded Hook-up Wire	Use BELDEN No. 8530 (Solid) Available in Ten Colors 8524 (Stranded) Available in Ten Colors
Power Cord (Interlock Type)	Use BELDEN No. 8874
300Ω Tuner Input Lead	Use BELDEN No. 8225
300Ω Antenna Lead-in	Use BELDEN No. 8230 or 8275
Antenna Rotor Cable	Use BELDEN No. 8464 (Flat) or 8484 (Round) - 4 Conductor 8485 (Round) - 5 Conductor 8488 (Round) - 8 Conductor

REMOTE CONTROL RECEIVER PARTS LIST AND DESCRIPTIONS

TUBES

GENERAL ELECTRIC			RAYTHEON		SYLVANIA	
ITEM No.	USE	TYPE	ITEM No.	USE	TYPE	
V25	1st-2nd 40KC Amp.	12AX7	V29	On-Vol. Relay Control Amp. - Channel Sel. Relay Control Amp.	6EV7	
V26	3rd-4th 40KC Amp.	12AX7				
V27	40KC Driver - Motor Rev. Rect. - Volume Rect. Tint Relay Control Amp. - Color Relay Control Amp.	6BN8	V30	Motor Rev. - Off Amp. - Motor Rev. - Off Relay Control Amp.	6EV7	
V28		6EV7				

ELECTROLYTIC CAPACITORS

ITEM No.	RATING		REPLACEMENT DATA					NOTES
	CAP.	VOLT.	RCA Victor PART No.	AEROVOX PART No.	CORNELL-DUBILIER PART No.	MALLORY PART No.	PYRAMID PART No.	
C148A	40	200	109284					TVL-2612
B	5	200						TVA-1315
C	500	50						

FIXED CAPACITORS

Capacity values given in the rating column are in mfd. for Paper Capacitors, and in mmfd. for Mica and Ceramic Capacitors.

ITEM No.	RATING	REMARKS	REPLACEMENT DATA					
			AEROVOX PART No.	CENTRALAB PART No.	CORNELL-DUBILIER PART No.	ELMENCOC PART No.	MALLORY PART No.	SPRAGUE PART No.
C149	.1	200V	P288N-1	DF-104	CUB2P1	2DP-3-104	GEM-201	2TM-P10
C150	330		DI-330	DD-331	L10T33	CCD-331	B-333	10TS-T33
C151	120		DI-120	DD-121	L10T12	CCD-121	GP312	10TS-T12
C152	10000		BPD-01	DD-103	BYA10S1	CCD-103	B-110	5HK-S10
C153	10000		BPD-01	DD-103	BYA10S1	CCD-103	B-110	5HK-S10
C154	120		DI-120	DD-121	L10T12	CCD-121	GP312	10TS-T12
C155	10000		BPD-01	DD-103	BYA10S1	CCD-103	B-110	5HK-S10
C156	120		DI-120	DD-121	L10T12	CCD-121	GP312	10TS-T12
C157	.1	200V	P288N-1	DF-104	CUB2P1	2DP-3-104	GEM-201	2TM-P10
C158	120		DI-120	DD-121	L10T12	CCD-121	GP312	10TS-T12
C159	10000		BPD-01	DD-103	BYA10S1	CCD-103	B-110	5HK-S10
C160	.1	200V	P288N-1	DF-104	CUB2P1	2DP-3-104	GEM-201	2TM-P10
C161	180	N750		TCN-180	C10T18U		CN7-318	10TCU-T18
C162	.1	200V		DF-104	CUB2P1		GEM-201	2TM-P10
C163	680	10%	P288N-1	DF-104	CUB2P1	2DP-3-104	GEM-201	2TM-P10
C164	10000		1469-00068		5R5T68	CM-19B-681K	MCJ249	MS-368
C165	.047	200V	BPD-01	DD-103	BYA10S1	CCD-103	B-110	5HK-S10
C166	680	10%	P288N-047	DD-503	CUB2S47	4DP-3-473	GEM-4147	2TM-S47
C167	10000		1469-00068		5R5T68	CM-19B-681K	MCJ249	MS-368
C168	.047	200V	BPD-01	DD-103	BYA10S1	CCD-103	B-110	5HK-S10
C169	680	10%	P288N-047	DD-503	CUB2S47	4DP-3-473	GEM-4147	2TM-S47
C170	10000		1469-00068		5R5T68	CM-19B-681K	MCJ249	MS-368
C171	.047	200V	BPD-01	DD-103	BYA10S1	CCD-103	B-110	5HK-S10
C172	680	10%	P288N-047	DD-503	CUB2S47	4DP-3-473	GEM-4147	2TM-S47
C173	10000		1469-00068		5R5T68	CM-19B-681K	MCJ249	MS-368
			BPD-01	DD-103	BYA10S1	CCD-103	B-110	5HK-S10

RCA VICTOR CHASSIS CTC10A, B, C, D, E, F, T, TU, W, CRK3F, CTP7B

FOLDER 2

REMOTE CONTROL RECEIVER PARTS LIST AND DESCRIPTIONS (Continued)

FIXED CAPACITORS (cont)

ITEM No.	RATING	REMARKS	REPLACEMENT DATA					
			AEROVOX PART No.	CENTRALAB PART No.	CORNELL DUBILIER PART No.	ELMENCO PART No.	MALLORY PART No.	SPRAGUE PART No.
C174	.047 200V	(.1) †	P288N-047	DD-503	CUB2847	4DP-3-473	GEM-4147	2TM-S47
C175	.0082 400V 10%		P684CM-0082		DPMS6D82	6DP-2-822	GEM-16282	6PS-D82
C176	.0047 600V 10%		V64C6D47-10%		PM6D47	6DP-1-472	GEM-16247	6TM-D47
C177	.22 400V		P488N-22		CUB4P22	4DP-5-224	GEM-4022	4TM-P22
C178	10000		BPD-01	DD-103	BYA10S1	CCD-103	B-110	5HK-S10

† Alternate Value.

RESISTORS

All wattages 1/2 watt, or less, unless otherwise listed.

ITEM No.	RATING	REPLACEMENT DATA			ITEM No.	RATING	REPLACEMENT DATA		
		IRC PART No.	WORKMAN TV PART No.	REMARKS			IRC PART No.	WORKMAN TV PART No.	REMARKS
R200	100K				R220	1meg			
R201	100K				R221	2.2meg			
R202	100K				R222	1meg			
R203	100K				R223	2.2meg			
R204	150K				R224	1meg			
R205	100K				R225	2.2meg			
R206	100K				R226	1meg			
R207	47K				R227	2.2meg			
R208	100K				R228	1meg			
R209	10meg				R229	15K 1W			
R210	47K				R230	15K 2W			
R211	100K				R231	2.2K 4W		5W SQ 2.2K	#109143
R212	470K				R232	15K			
R213	2.7meg				R233	1000Ω			
R214	100K				R234	470Ω 1W			
R215	68K				R235	2700Ω			
R216	1000Ω				R236	12K 3W	PW5 12000Ω	3G 12000Ω	#105225
R217	1meg				R237	6800Ω 5W	PW5 6800Ω	5G 6800Ω	#107541
R218	1meg				R238	4.7Ω 4W	PW5 4.7Ω	5W SQ 4.7Ω	#106871
R219	2.2meg				R239	7.5Ω			#107836

RCA Victor Part Number.

COILS (RF-IF)

ITEM No.	USE	REPLACEMENT DATA				NOTES
		RCA Victor PART No.	Merit PART No.	Miller PART No.	Stancor PART No.	
L43	40KC Trans.	107575				
L44	Tint Rect.	107539				
L45	Color Rect.	107539				
L46	Volume Rect.	107538				
L47	Channel Rect.	107538				

TRANSFORMER (POWER)

ITEM No.	RATING			REPLACEMENT DATA					NOTES
	PRI.	SEC. 1	SFC. 2	RCA Victor PART No.	Merit PART No.	Stancor PART No.	Thordarson PART No.	Triad PART No.	
T6	117V @ .65A	120V @ .050A DC	24V @ 1A Tap @ 6.3V @ 3.1A	107533					

POWER RECTIFIERS

ITEM No.	RATING CURRENT (Measured)	RCA Victor PART No.	REPLACEMENT DATA			NOTES
			RCA PART No.	SARKIS TAZIAN PART No.	SYLVANIA PART No.	
M25	.050A	*	1N1763 *	40H *	SR500 *	* Silicon
M26	.260A	107540 *				* Selenium

FUSES

ITEM No.	TYPE	RATING	REPLACEMENT DATA						
			RCA Victor PART No.		LITTELFUSE PART No.		BUSS PART No.		
			FUSE	HOLDER	FUSE	HOLDER	FUSE	HOLDER	
M27		1 1/4" length #26 Wire							

SIGNAL DIODES

ITEM No.	ORIG. TYPE	REPLACEMENT DATA				NOTES
		RCA Victor PART No.	GENERAL ELECTRIC PART No.	RAYTHEON PART No.	SYLVANIA PART No.	
M28		106952 *				* Selenium Diode, Channel Rectifier
M29		106952 *				* Selenium Diode, Color Rectifier
M30		106952 †				† Selenium Diode, Tint Rectifier

REMOTE CONTROL RECEIVER PARTS LIST (Continued)

MISCELLANEOUS

ITEM No.	PART NAME	RCA Victor PART No.	NOTES
M31	Relay	107537	Channel Selector Volume Control Color Control Tint Control Motor Reversing Motor Start Cabinet Remote, Control, Models 211CDR835, 6, 7, & U, 211CDR896, U, 211CDR932, 5, 6, & U, 211CHR976 Cabinet Remote Control, Models 211CDR920, 4, U, 211CDR886, U, 211CDR904, U
M32	Relay	107536	
M33	Relay	107536	
M34	Relay	107536	
M35	Relay	107405	
M36	Relay	107535	
	Microphone	107630	
	Microphone	107850	

REMOTE CONTROL TRANSMITTER PARTS LIST AND DESCRIPTIONS

TRANSISTORS

ITEM No.	ORIG. TYPE	USE	REPLACEMENT DATA			NOTES
			RCA PART No.	RAYTHEON PART No.	SYLVANIA PART No.	
X1	2N406	Oscillator	2N406	2N633	2N406	PNP

ELECTROLYTIC CAPACITORS

ITEM No.	RATING		RCA Victor PART No.	REPLACEMENT DATA					NOTES
	CAP.	VOLT.		AEROVOX PART No.	CORNELL-DUBILIER PART No.	MALLORY PART No.	PYRAMID PART No.	SPRAGUE PART No.	
C179	50	3		PTT-3050	NLW50-3	TT6X50	MLV50-3	TE-1058	

FIXED CAPACITORS

Capacity values given in the rating column are in mfd. for Paper Capacitors, and in mmfd. for Mica and Ceramic Capacitors.

ITEM No.	RATING		REMARKS	REPLACEMENT DATA					
	Value	Tolerance		AEROVOX PART No.	CENTRALAB PART No.	CORNELL-DUBILIER PART No.	ELMENCOPART No.	MALLORY PART No.	SPRAGUE PART No.
C180	220	2%	#107639	1469-00022		22R5T22-2%	CM-15-E-221G	GEM-2022	2WF-P22
C181	.22	50V		P123ZNN-22		22R5T22E	1DP-3-224		
C182	6-2l								
C183	39	2%		1469-000039-2%	TCZ-39	22R5Q39-2%	CM-15-E-390G	MCE233	
C184	180	2%		1469-000180-2%		22R5T18-2%	CM-15-E-181G		
C185	240	2%		1469-00024-2%		22R5T24-2%	CM-15-E-241G		
C188	8-40	N750							
C187	100	2%			1469-0001-2%	TCZ-100	22R5T1-2%	CM-15-E-101G	MCE235
C188	6-2l			#107639					

RCA Victor Part Number.

RESISTORS

All wattages 1/2 watt, or less, unless otherwise listed.

ITEM No.	RATING	REPLACEMENT DATA			ITEM No.	RATING	REPLACEMENT DATA		
		IRC PART No.	WORKMAN TV PART No.	REMARKS			IRC PART No.	WORKMAN TV PART No.	REMARKS
R240	2200Ω				R242	220Ω			
R241	750Ω				R243	180Ω			

COILS (RF-IF)

ITEM No.	USE	REPLACEMENT DATA				NOTES
		RCA Victor PART No.	Merit PART No.	Miller PART No.	Stancor PART No.	
L48	Oscillator	107568				

BATTERIES

ITEM No.	VOLTAGE	RCA Victor PART No.	REPLACEMENT DATA					NOTES	
			BURGESS		EVEREADY		MALLORY		
			"A"	"B"	"A"	"B"	"A"		"B"
M37	4.2	VSL63			E-163		TR-163R		

MISCELLANEOUS

ITEM No.	PART NAME	RCA Victor PART No.	NOTES
M38	Microphone Printed Board	107437 107569	Transmitter Circuit Assembly, Less Buttons

CABINETS & CABINET PARTS

(When Ordering Cabinets & Cabinet Parts, Specify Model, Chassis & Color)

NAME	PART NO.	DESCRIPTION
Cabinet	107566	Bottom
Cabinet	107567	Top

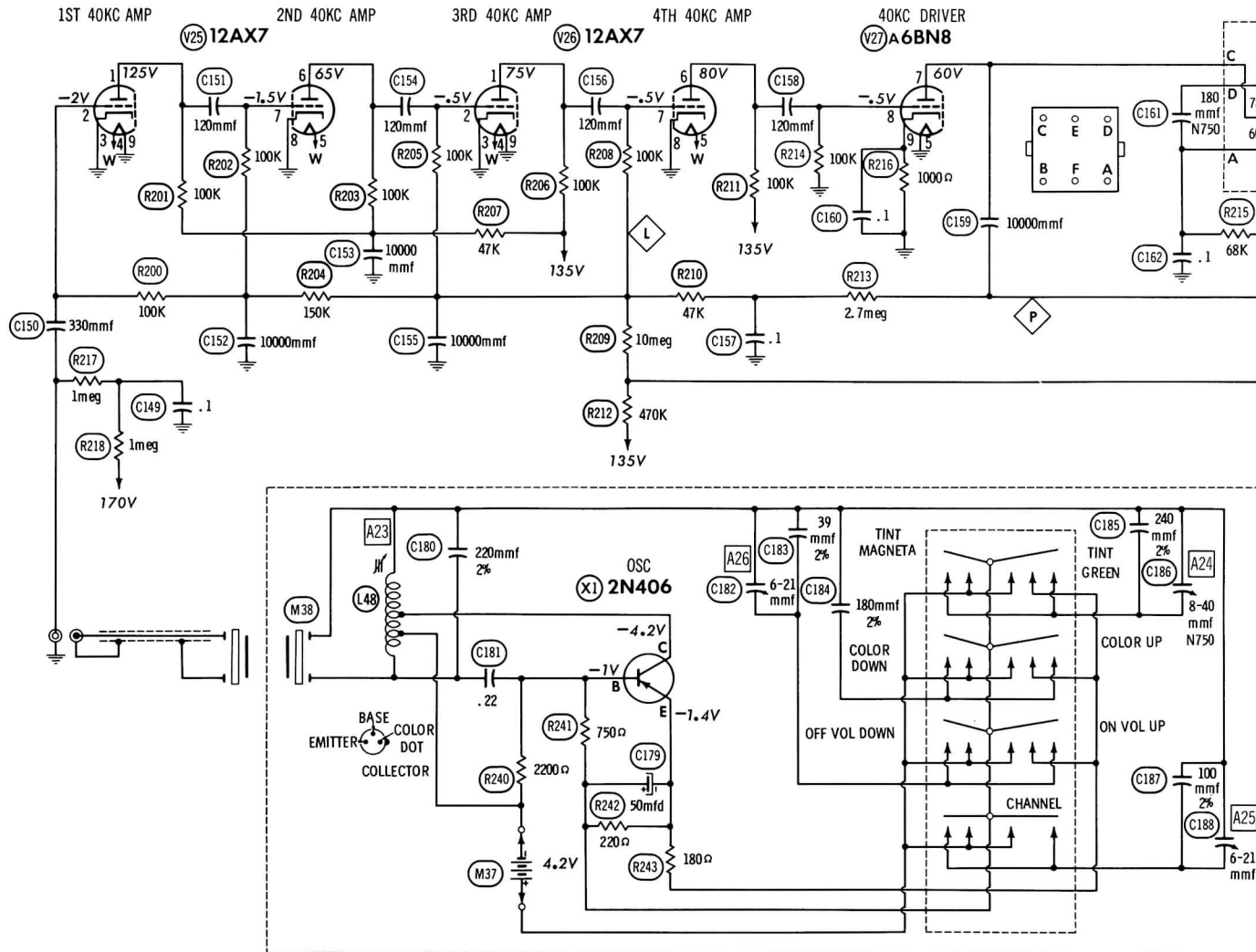
RCA VICTOR CHASSIS CT10A, B, C,
D, E, F, T, TU, W, CRK3F, CTP7B

FOLDER 2

CABINETS & CABINET PARTS

(When Ordering Cabinets & Cabinet Parts, Specify Model, Chassis & Color)

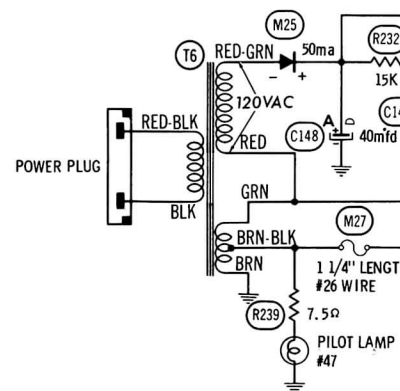
		211C8812, U	211C8822, U	211C8835, U, X	211C8836, U, X	211C8837, U, X	211C8855, U	211C8856, U	211C8857, U	211C8865, U	211C8866, U	211C8867, U	211C8885, U	211C8886, U	211C8887, U	211C8896, U	211C8904, U	211C8920, U	211C8924, U	211C8935, U	211C8936, U	211C8937, U	211C8886, U	211C8886, U	211C8904, U	211C8920, U	211C8924, U	211C8932, U	211C8935, U	211C8936, U	211C8936, U	211C8936, U				
Safety Glass	106781	X	X	X	X	X	X	X	X	X	X	X	X	X	X	X	X	X	X	X	X	X	X	X	X	X	X	X	X	X	X	X				
Mask	106459	X	X	X	X	X	X	X	X	X	X	X	X	X	X	X	X	X	X	X	X	X	X	X	X	X	X	X	X	X	X	X	X			
Channel Selector Touch Bar	109153															X					X	X	X	X	X	X	X	X	X	X	X	X	X			
Dial, Channel Indicator	109478																				X	X	X	X	X	X	X	X	X	X	X	X	X			
Knob, VHF, VHF/UHF Chan. Sel.	109398	X																																		
Knob, UHF Chan. Selector	107269	X	X				X	X	X																											
Knob, UHF Chan. Indicator	107266	X	X				X	X	X																											
Knob, VHF, VHF/UHF Chan. Sel.	109271			X	X	X				X	X	X																								
Knob, VHF/UHF Chan. Sel.	109446												X	X	X																					
Knob, UHF Channel Selector	109275			X	X	X				X	X	X									X	X	X													
Knob, UHF Channel Selector	109447												X	X	X	X							X	X					X	X	X	X	X	X		
Knob, UHF Channel Indicator	109276			X	X	X				X	X	X	X	X	X	X					X	X	X	X	X	X	X	X	X	X	X	X	X	X		
Knob, VHF Channel Selector	109192		X				X	X	X																											
Knob, VHF, VHF/UHF Chan. Sel.	109711																	X	X																	
Knob, Fine Tuning	109448												X	X	X	X	X	X	X																	
Knob, Fine Tuning	109189			X	X	X				X	X	X																						X	X	
Knob, Fine Tuning	106596	X	X				X	X	X												X	X	X						X	X	X	X	X	X	X	
Knob, Vol., Brightness	106278	X	X				X	X	X																											
Knob, Vol., Brightness	109273			X	X	X				X	X	X	X	X	X	X	X	X	X	X	X	X	X	X	X	X	X	X	X	X	X	X	X	X	X	
Knob, Contrast, Tone, Vert. H, Horiz. H.	107605	X	X				X	X	X																											
Knob, Contrast, Tone, Vert. H, Horiz. H.	109571																	X	X																	X
Knob, Contrast, Tone, Vert. H, Horiz. H.	109274			X	X	X				X	X	X	X	X	X	X	X				X	X	X	X	X	X	X	X	X	X	X	X	X	X	X	
Knob, Focus	109246		X	X	X	X	X	X	X	X	X	X	X	X	X	X	X	X	X	X	X	X	X	X	X	X	X	X	X	X	X	X	X	X	X	
Knob, Tint	109451												X	X	X	X	X	X					X				X	X	X	X	X	X	X	X	X	
Knob, Tint, Color	107603	X	X				X	X	X																											
Knob, Color	109449			X	X	X				X	X	X																								
Knob, Color	109450												X	X	X	X	X	X	X	X	X	X	X	X	X	X	X	X	X	X	X	X	X	X	X	
Cabinet, Black	Z4815	X																																		
Cabinet, Black	Z4729		X																																	
Cabinet, Mahogany	Z4736			X																																
Cabinet, Walnut	Z4737				X																															
Cabinet, Oak	Z4738					X																														
Cabinet, Mahogany	Z4739																																			
Cabinet, Walnut	Z4740																																			
Cabinet, Oak	Z4741																																			
Cabinet, Mahogany	X4789												X																							
Cabinet, Walnut	X4790													X																						
Cabinet, Oak	X4791														X																					
Cabinet, Walnut	X4792																																			
Cabinet, Cherry	X4783																																			
Cabinet, Maple	X4784																																			
Cabinet, Ebony	X4782																																			
Cabinet, Mahogany	X4780																																			
Cabinet, Walnut	X4781																																			
Cabinet, Mahogany	M4822						X																													
Cabinet, Walnut	M4823							X																												
Cabinet, Oak	M4824								X																											
Leg, Mahogany	X5206																																			
Leg, Brass (Not "X" Models)	X5129			X	X	X																														
Leg, Walnut	X5207													X																						
Leg, Oak	X5208															X																				

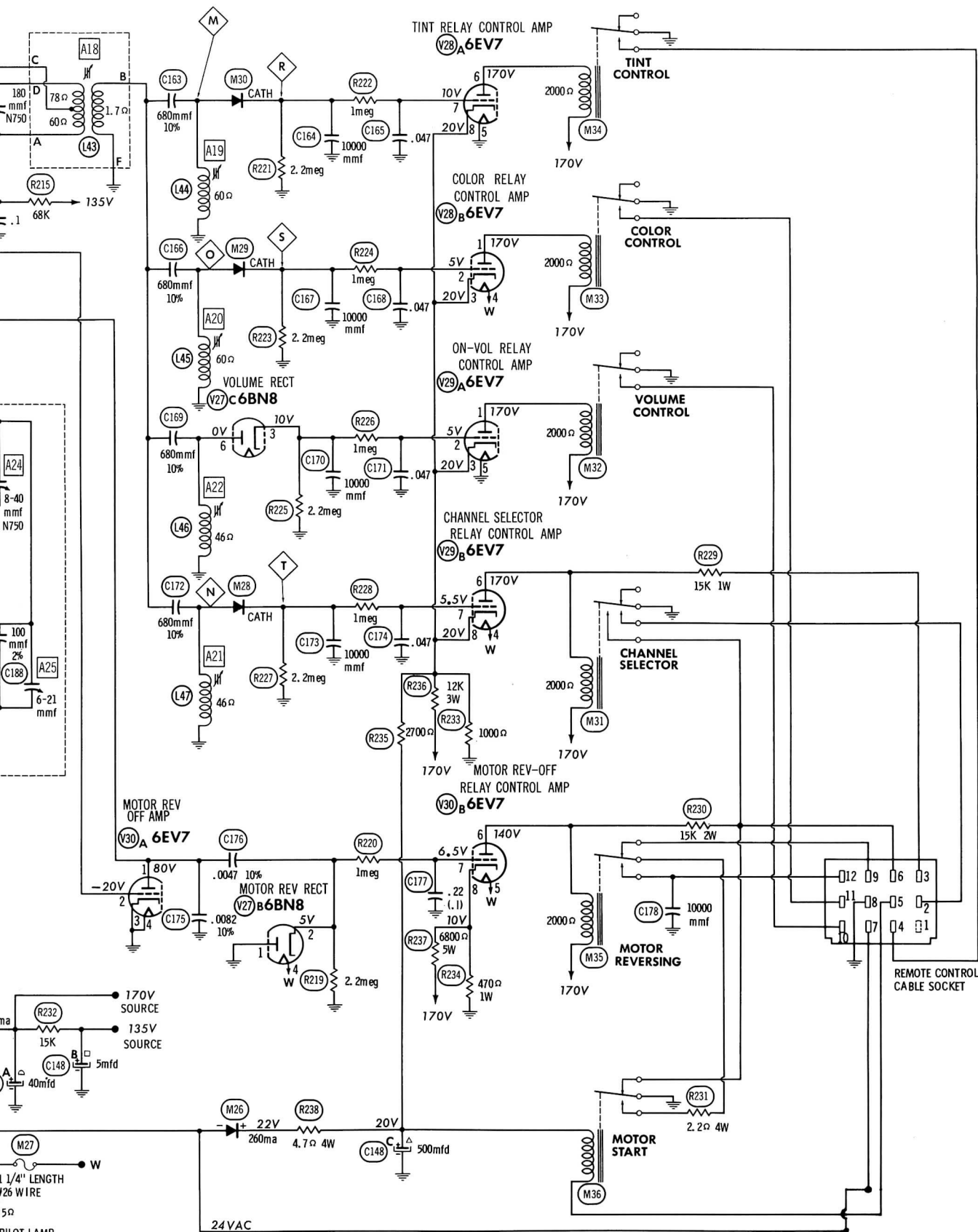


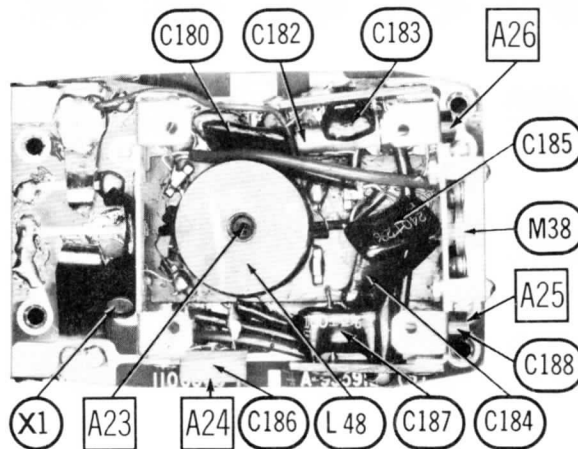
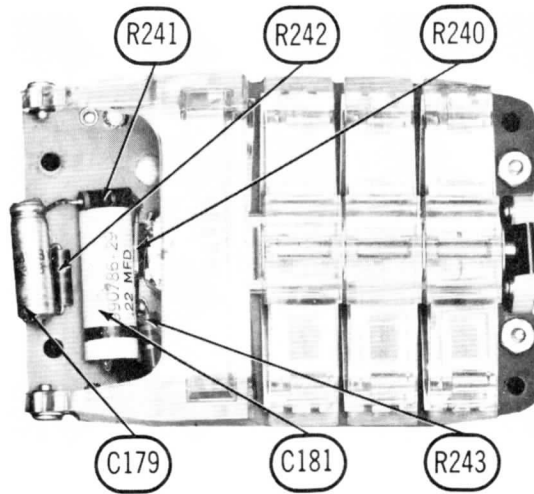
RESISTANCE READINGS

ITEM	TUBE	Pin 1	Pin 2	Pin 3	Pin 4	Pin 5	Pin 6	Pin 7	Pin 8	Pin 9
V25	12AX7	††170K	11meg	0Ω	.1Ω	.1Ω	††170K	11meg	0Ω	0Ω
V26	12AX7	††115K	11meg	0Ω	.1Ω	.1Ω	††115K	11meg	0Ω	0Ω
V27	6BN8	0Ω	2.2meg	2.2meg	.1Ω	0Ω	46Ω	††83K	100K	1000Ω
V28	6EV7	††2000Ω	3.2meg	1000Ω	.1Ω	0Ω	††2000Ω	3.2meg	1000Ω	NC
V29	6EV7	††2000Ω	3.2meg	1000Ω	.1Ω	0Ω	††2000Ω	3.2meg	1000Ω	NC
V30	6EV7	††485K	13meg	0Ω	0Ω	.1Ω	††2000Ω	3.2meg	470Ω	TP

†† MEASURED FROM OUTPUT OF M25. NC NO CONNECTION TP TIE POINT
 ALL TRANSISTOR MEASUREMENTS MADE FROM POSITIVE BATTERY TERMINAL WITH CHANNEL BUTTON DEPRESSED.
 RESISTANCE MEASUREMENTS FOR X1 NOT GIVEN BECAUSE OF THE WIDE VARIATION IN INTERNAL TRANSISTOR RESISTANCE.

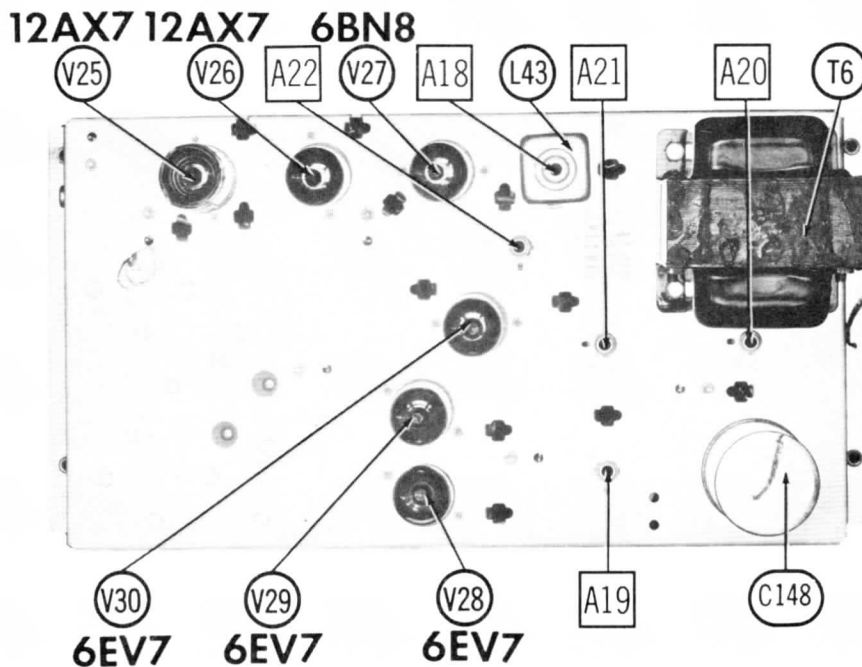




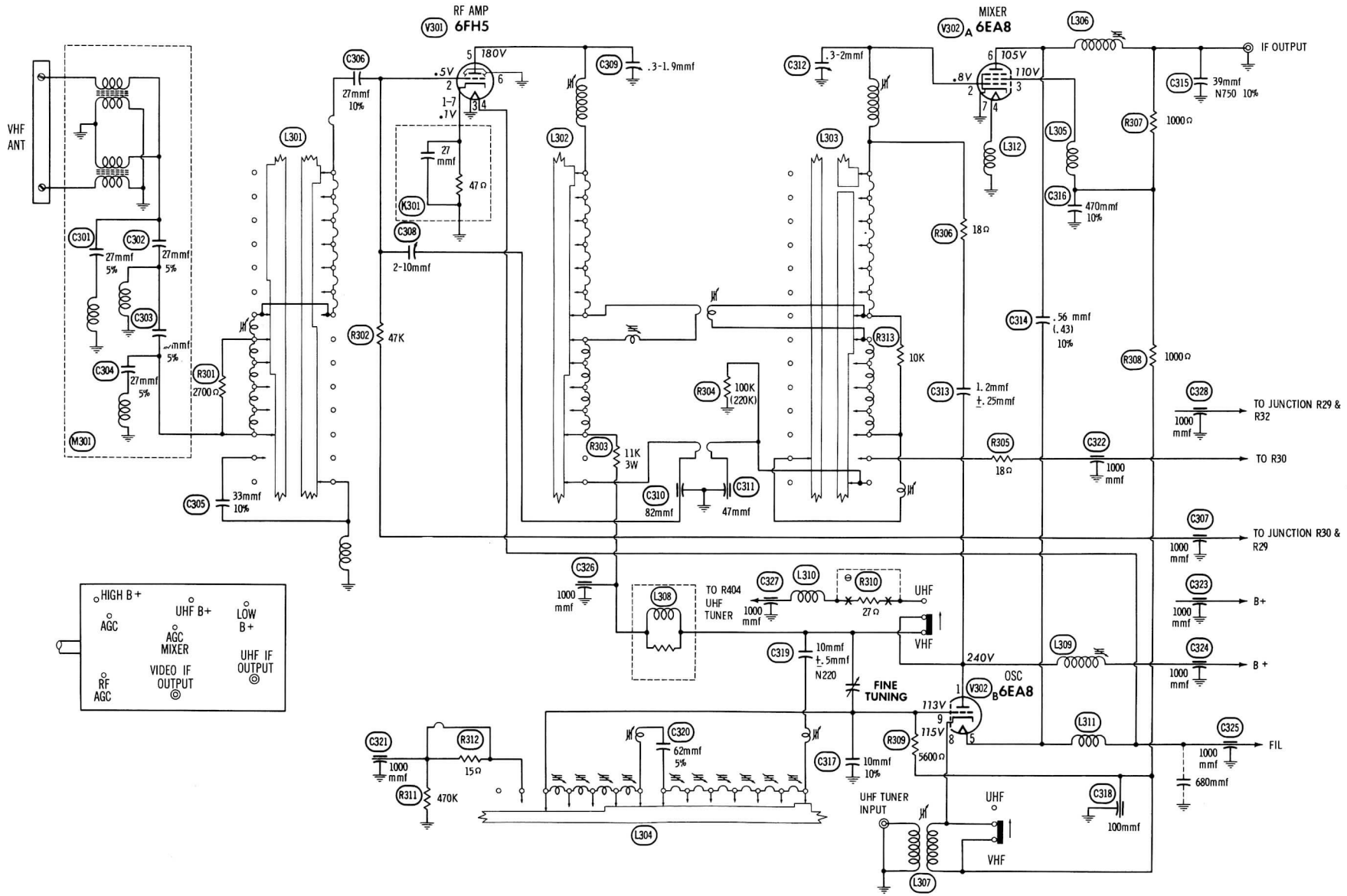


2N406

REMOTE CONTROL TRANSMITTER



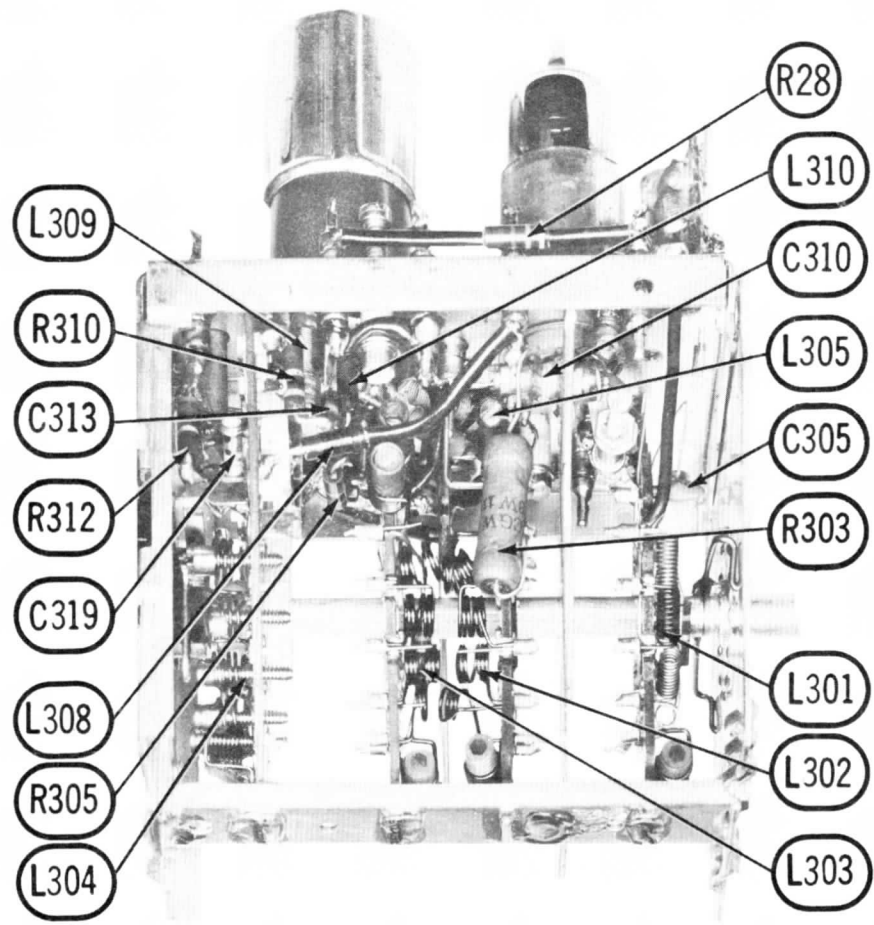
REMOTE CONTROL RECEIVER - TOP VIEW



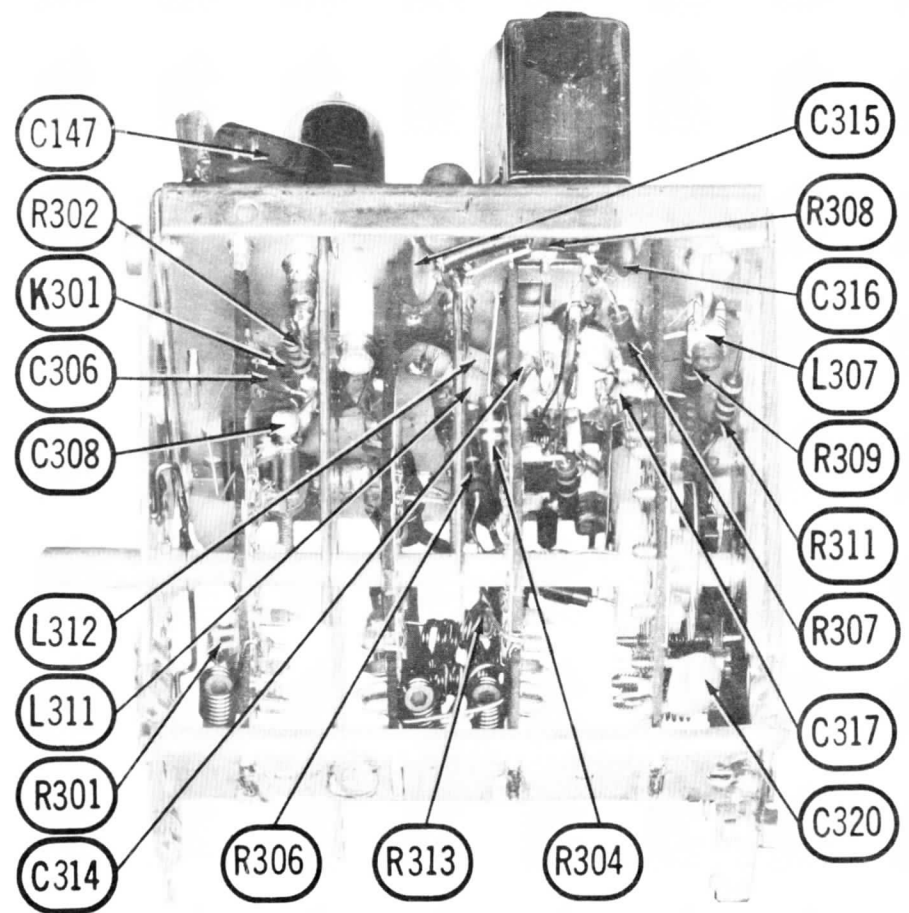
A PHOTOFAC STANDARD NOTATION SCHEMATIC
 © Howard W. Sams & Co., Inc. 1961

VHF TUNER with UHF Provisions - KRK97E, F, H

B,C,D,E,F,T,U,W,CRK3F,CTP7B
 RCA VICTOR CHASSIS CT10A,

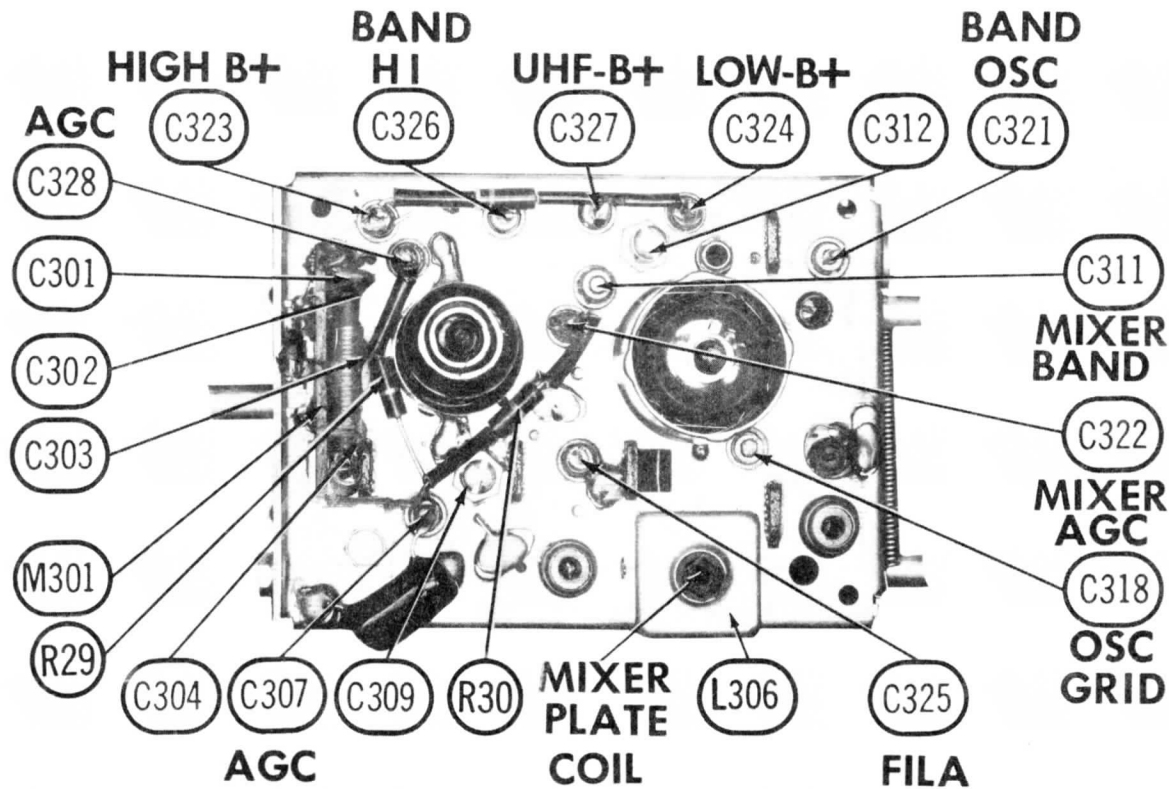


(LEFT SIDE)



(RIGHT SIDE)

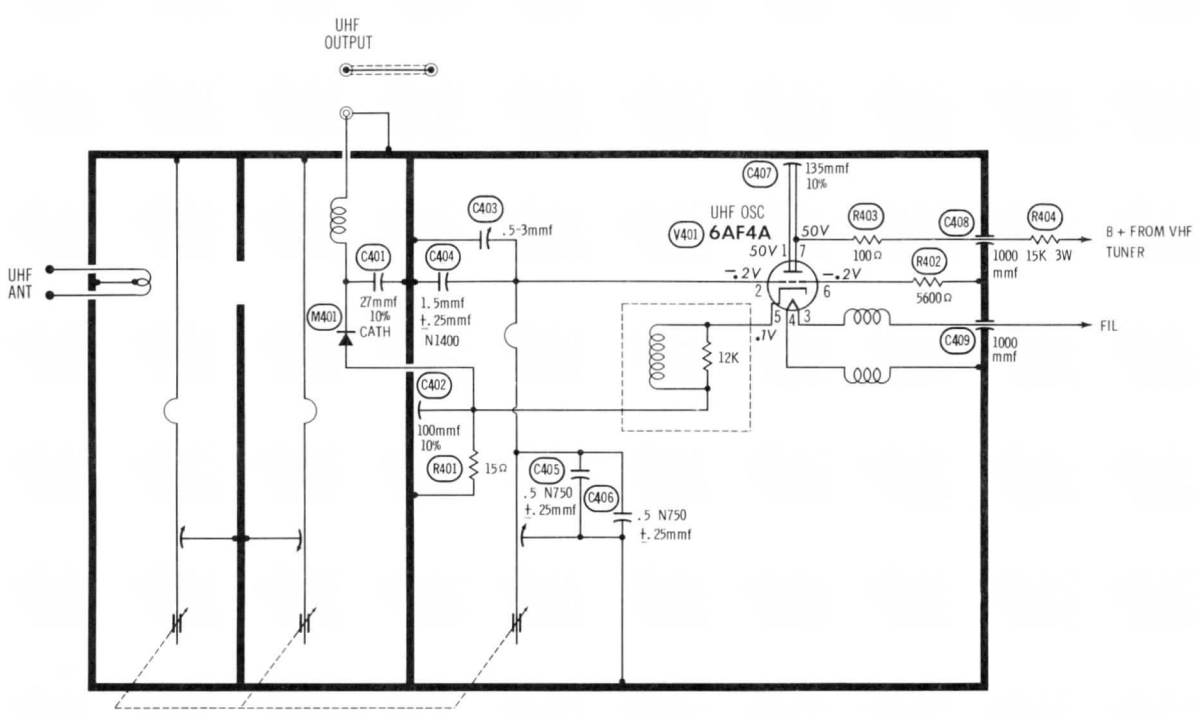
VHF TUNER with UHF Provisions - KRK97H



VHF TUNER with UHF Provisions - KRK97H - TOP VIEW

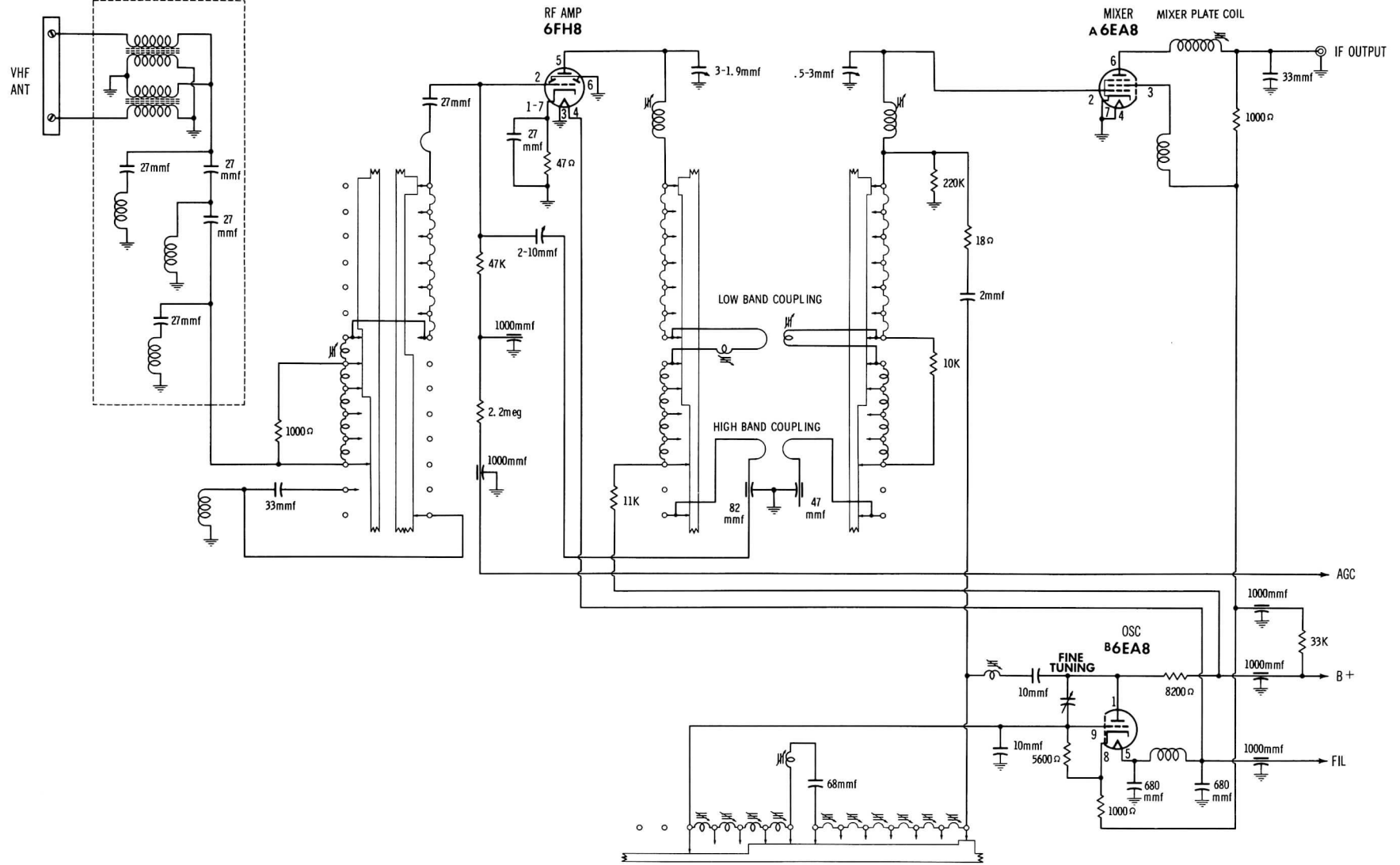
RCA VICTOR CHASSIS CT10A, B, C, D, E, F, T, TU, W, CRK3F, CTP7B

FOLDER 2



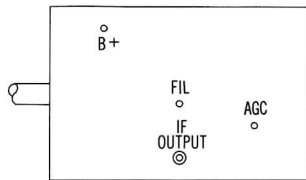
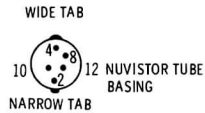
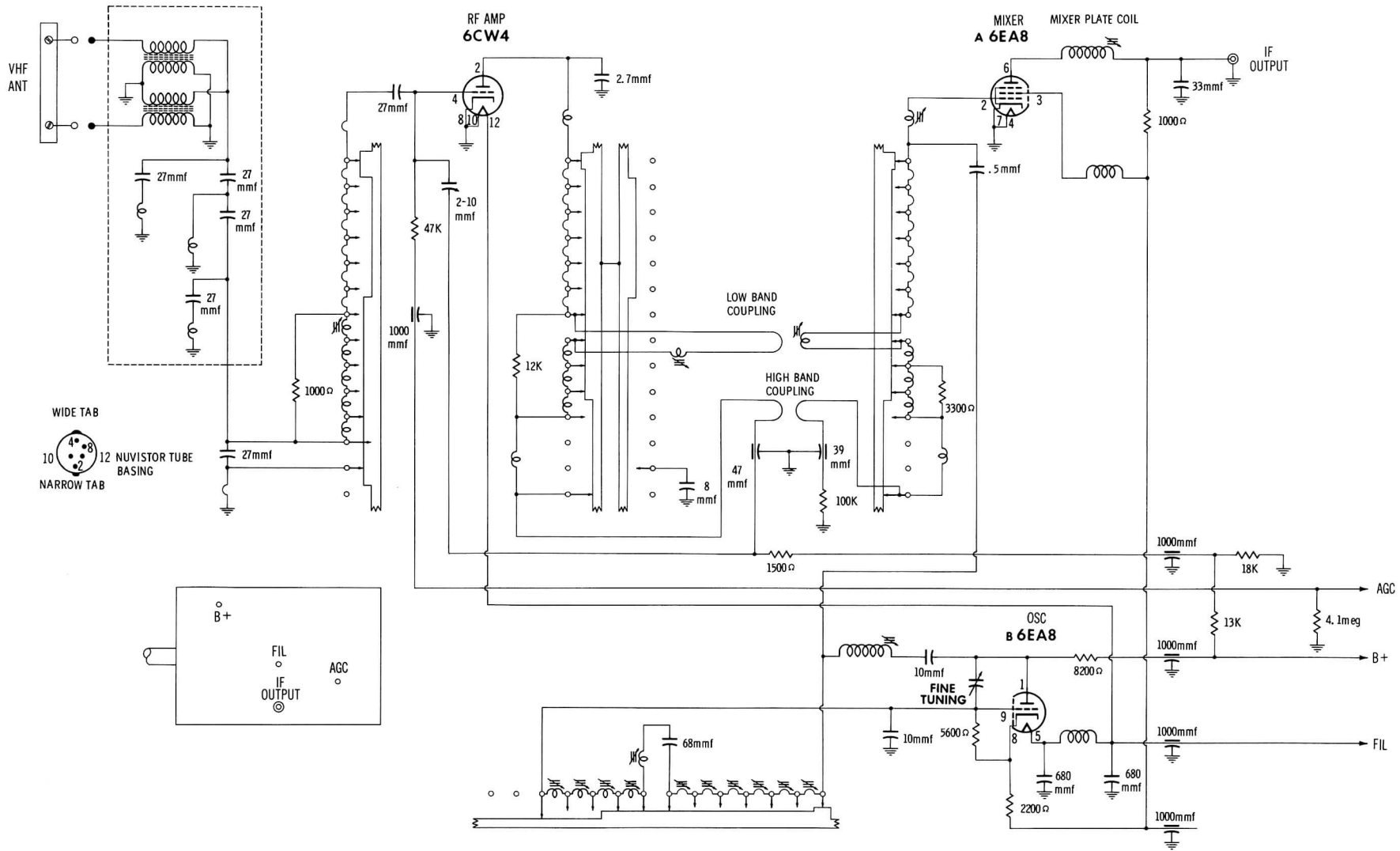
A PHOTOFAC STANDARD NOTATION SCHEMATIC
© Howard W. Sams & Co., Inc. 1961

UHF TUNER KRK66AA, AB



A PHOTOFAC STANDARD NOTATION SCHEMATIC
 © Howard W. Sams & Co., Inc. 1961

VHF TUNER KRK96E, F, H



A PHOTOFACIT STANDARD NOTATION SCHEMATIC
 © Howard W. Sams & Co., Inc. 1961

VHF TUNER KRK98C

RCA VICTOR CHASSIS CT10A,
 B,C,D,E,F,T,U,W,CRK3F,CTP7B

UHF TUNER PARTS LIST AND DESCRIPTIONS

KRK-66AA,AB

TUBES

• GENERAL ELECTRIC •			• RAYTHEON •			• SYLVANIA •		
ITEM No.	USE	TYPE		ITEM No.	USE	TYPE		
V401	UHF Osc.	6AF4A						

FIXED CAPACITORS

Capacity values given in the rating column are in mfd. for Paper Capacitors, and in mmfd. for Mica and Ceramic Capacitors.

ITEM No.	RATING	REMARKS	REPLACEMENT DATA					
			AEROVOX PART No.	CENTRALAB PART No.	CORNELL-DUBILIER PART No.	ELMENCO PART No.	MALLORY PART No.	SPRAGUE PART No.
C401	27 10%		DI-27	DD-270	L10Q27	CCD-270	GP427	10TS-Q27
C402	100 10%			829-3		CV-1	CT565	
C403	.5-3							
C404	1.5 N1400 ± .25mmf	#106691						
C405	.5 N750 ± .25mmf	#104917						
C406	.5 N750 ± .25mmf	#104917						
C407	135 10%							
C408	1000		1469-00013	TCZ-130	22R5T13	CM-19B-131K		MS-313
C409	1000		EF-001	MFT-1000		CCF-102	CT280A	
			EF-001	MFT-1000		CCF-102	CT280A	

RCA Victor Part Number.

RESISTORS

All wattages 1/2 watt, or less, unless otherwise listed.

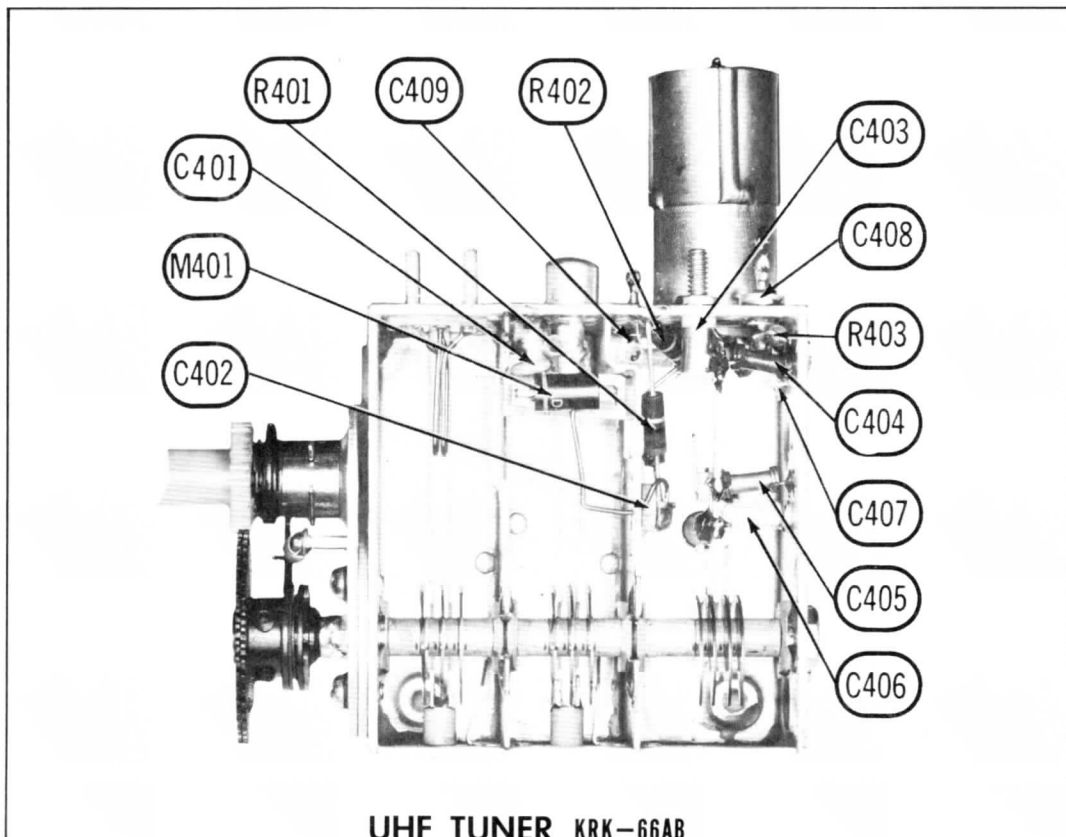
ITEM No.	RATING	REPLACEMENT DATA			ITEM No.	RATING	REPLACEMENT DATA		
		IRC PART No.	WORKMAN TV PART No.	REMARKS			IRC PART No.	WORKMAN TV PART No.	REMARKS
R401	15Ω				R403	100Ω			
R402	5600Ω				R404	15K 3W	PW5 15000Ω	3G 15000Ω	

SIGNAL DIODES

ITEM No.	ORIG. TYPE	REPLACEMENT DATA				NOTES
		RCA Victor PART No.	GENERAL ELECTRIC PART No.	RAYTHEON PART No.	SYLVANIA PART No.	
M401	LD-128	107729				

MISCELLANEOUS

ITEM No.	PART NAME	RCA Victor PART No.	NOTES
	Gear Shaft	106494 107176	Tuner Drive Assembly (Complete) Main Drive Shaft Assembly Complete (KRK66AA, AB)



UHF TUNER KRK-66AB

VHF TUNER PARTS LIST AND DESCRIPTIONS

KRK-97E,F,H
TUBES

GENERAL ELECTRIC			RAYTHEON			SYLVANIA		
ITEM No.	USE	TYPE	ITEM No.	USE	TYPE	ITEM No.	USE	TYPE
V301	RF Amp.	6FH5	V302	Mixer - Osc.	6EA8			

FIXED CAPACITORS

Capacity values given in the rating column are in mfd. for Paper Capacitors, and in mmfd. for Mica and Ceramic Capacitors.

ITEM No.	RATING	REMARKS	REPLACEMENT DATA					
			AEROVOX PART No.	CENTRALAB PART No.	CORNELL-DUBILIER PART No.	ELMENCO PART No.	MALLORY PART No.	SPRAGUE PART No.
C301	27 5%			TCZ-27	C10Q27C	CCTO-270	CNO-427	10TCC-Q27
C302	27 5%			TCZ-27	C10Q27C	CCTO-270	CNO-427	10TCC-Q27
C303	27 5%			TCZ-27	C10Q27C	CCTO-270	CNO-427	10TCC-Q27
C304	27 5%			TCZ-27	C10Q27C	CCTO-270	CNO-427	10TCC-Q27
C305	33 10%		DI-33	DD-33	L10Q33	CCD-330	GP433	10TS-Q33
C306	27 10%		DI-27	DD-270	L10Q27	CCD-270	GP427	10TS-Q27
C307	1000		EF-001	MFT-1000		CCF-102	CT280A	
C308	2-10	#109377		829-10				
C309	.3-1.9	#105507						
C310	82	#109351						
C311	47	#109352						
C312	.3-2	#105507						
C313	1.2 ±.25mmf			TCZ-1			CNO-510	10TCC-V12
C314	.56 10%	† (.43)						
C315	39 N750 10%			TCN-39	C10Q39U	CCTN-390	CN7-439	10TCC-Q39
C316	470 10%		DI-470	DD-47	5R5T47	CCD-471	GP347	10TS-Q10
C317	10 10%		DI-10	DD-100	L10Q1	CCD-100	GP410	
C318	100		EF-0001	MFT-100				
C319	10 N220 ±.5mmf	#76350				*		10TCR-Q10
C320	82 5%			TCZ-82	C10Q82C			
C321	1000		EF-001	MFT-1000		CCF-102	CT280A	
C322	1000		EF-001	MFT-1000		CCF-102	CT280A	
C323	1000		EF-001	MFT-1000		CCF-102	CT280A	
C324	1000		EF-001	MFT-1000		CCF-102	CT280A	
C325	1000		EF-001	MFT-1000		CCF-102	CT280A	
C326	1000		EF-001	MFT-1000		CCF-102	CT280A	
C327	1000		EF-001	MFT-1000		CCF-102	CT280A	
C328	1000		EF-001	MFT-1000		CCF-102	CT280A	

RCA Victor Part Number.

† Alternate Value.

* Not normally in distributor's stock. Available thru distributor on order to manufacturer.

RESISTORS

All wattages 1/2 watt, or less, unless otherwise listed.

ITEM No.	RATING	REPLACEMENT DATA			ITEM No.	RATING	REPLACEMENT DATA		
		IRC PART No.	WORKMAN TV PART No.	REMARKS			IRC PART No.	WORKMAN TV PART No.	REMARKS
R301	2700Ω				R308	1000Ω			
R302	47K				R309	5600Ω			
R303	11K 3W	PW5 11000Ω	3G 11000Ω	#109353	R310	27Ω ①			
R304	100K			* 220K	R311	470K			
R305	18Ω				R312	15Ω			
R306	18Ω				R313	10K			
R307	1000Ω								

RCA Victor Part Number.

* Alternate Value

① May not be used in some versions.

COMPONENT COMBINATIONS

ITEM No.	USE	DESCRIPTION	RCA Victor PART No.	REPLACEMENT DATA
K301	RF Amp. Cathode	27mmf, 47Ω	109372	

COILS (RF-IF)

ITEM No.	USE	RCA Victor PART No.	NOTES	ITEM No.	USE	RCA Victor PART No.	NOTES
L301	Ant. Coils	109363	Channels 2 - 13 Includes Wafer Assembly	L306	Mixer Plate	109375	
L302	RF Coils	109362	"	L307	UHF IF Input	103668	
L303	Mixer Grid Coils	109360	"	L308	RF Choke	107975	Wound on 2200Ω Res.
L304	Osc. Coils	109370	"	L309	Interstage	104437	
L305	RF Choke			L310	RF Choke		
				L311	fil. Choke		
				L312	fil. Choke		

MISCELLANEOUS

ITEM No.	PART NAME	RCA Victor PART No.	NOTES
M301	Antenna Matching Network	109364	Assembly (KRK97H)
	Switch Assembly	109354	
	Gear	107453	Fine Tuning Intermediate
	Gear	108261	Turret, Fine Tuning, Even Number Channels
	Gear	108262	Turret, Fine Tuning, Odd Number Channels
	Hub	109371	Channel Selector Programming (KRK97H)
	Hub	109358	Assembly (KRK97F)
	Shaft	107618	Detent (KRK97E, F)
	Shaft	109356	Detent (KRK97H)
	Shaft	108264	Fine Tuning (KRK97E, F)
	Shaft	108376	Fine Tuning (KRK97H)

RCA VICTOR CHASSIS CT10A, B, C, D, E, F, T, TU, W, CRK3F, CTP7B

FOLDER 2

REMOTE CONTROL ALIGNMENT INSTRUCTIONS

REMOTE CONTROL RECEIVER ALIGNMENT

Short points M , N , O and pin 6 (cathode) of V27 to chassis with clip leads. Suggested Alignment Tools: GENERAL CEMENT #8282, 8606, 8606-L, 9295, 9440 WALSCO #2526, 2543, 2544, 2545					
	SIGNAL GENERATOR COUPLING	SIGNAL GENERATOR FREQUENCY	CONNECT VTVM	ADJUST	REMARKS
1.	High side to microphone input. Low side to chassis.	40.75 KC	DC probe thru 10meg to point P . Common to chassis.	A18	Adjust for maximum deflection. Then turn $\frac{1}{2}$ turn clockwise.
2.	"	35.75 KC	DC probe thru 10meg to point R . Common to chassis.	A19	Remove clip lead from points M , N , O and pin 6 of V27. Adjust A19 for maximum deflection.
3.	"	38.25 KC	DC probe thru 10meg to point S . Common to chassis.	A20	Adjust for maximum deflection.
4.	"	40.75 KC	DC probe thru 10meg to point T . Common to chassis.	A21	"
5.	"	43.25 KC	DC probe thru 10meg to pin 3 (Cath.) of V27. Common to chassis.	A22	"

REMOTE CONTROL TRANSMITTER ALIGNMENT

Remove the complete cover from the transmitter.					
	SIGNAL GENERATOR COUPLING	SIGNAL GENERATOR FREQUENCY	CONNECT SCOPE	ADJUST	REMARKS
6.	High side to horizontal input of scope. Low side to ground lug of scope.	19.125 KC	Vert. Amp. probe about 1 inch in front of transducer opening at end of transmitter. Low side to negative terminal of battery.	A23	Depress right hand "Color" button and adjust A23 for zero beat on scope. Depress left hand "Color" button and check for blocking on scope pattern.
7.	"	17.875 KC	"	A24	Depress right hand "Tint" button and adjust A24 for zero beat. Depress left hand "Tint" button and check for blocking.
8.	"	20.375 KC	"	A25	Connect a clip lead across R243. Depress Channel button and adjust A25 for zero beat on scope. Remove jumper.
9.	"	21.625 KC	"	A26	Depress right hand "On-Volume" button and adjust A26 for zero beat on scope. Depress left hand "Off-Volume" button and check for blocking.

VHF TUNER ALIGNMENT INSTRUCTIONS

PRE-ALIGNMENT INSTRUCTIONS (FOR MODELS WITH REMOTE CONTROL)

Suggested Alignment Tools: GENERAL CEMENT #5009, 8195, 8274, 8275, 8728, 8729, 8987, 8988, 8989
WALSCO #2515, 2531, 2532

OSCILLATOR ALIGNMENT

Set the Fine Tuning to the center of its range. Channel 13 slug is located on top of the tuner in front of the Oscillator tube. Channel 12 thru 2 is located on the front of the tuner in a circle around the shaft. The adjustments should be in sequence from the highest to the lowest in the area. Reach thru the openings in the dial and rotate the insulator until the elongated opening in it coincides with the elongated opening in the dial. Proceed in a counterclockwise direction adjusting for best picture and sound.

RF AND MIXER ALIGNMENT

This portion of the tuner has been properly aligned at the factory and is very stable. Alignment of this portion should not be attempted in the field.

PRE-ALIGNMENT INSTRUCTIONS (FOR MODELS WITHOUT REMOTE CONTROL)

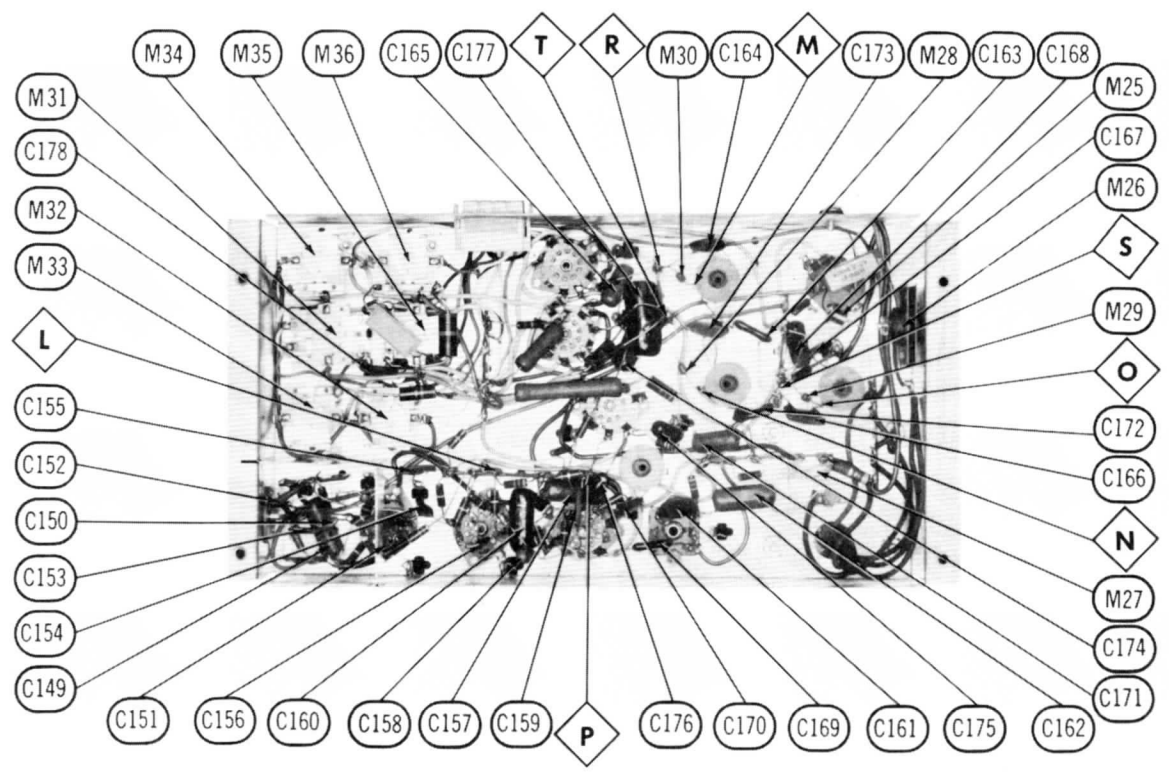
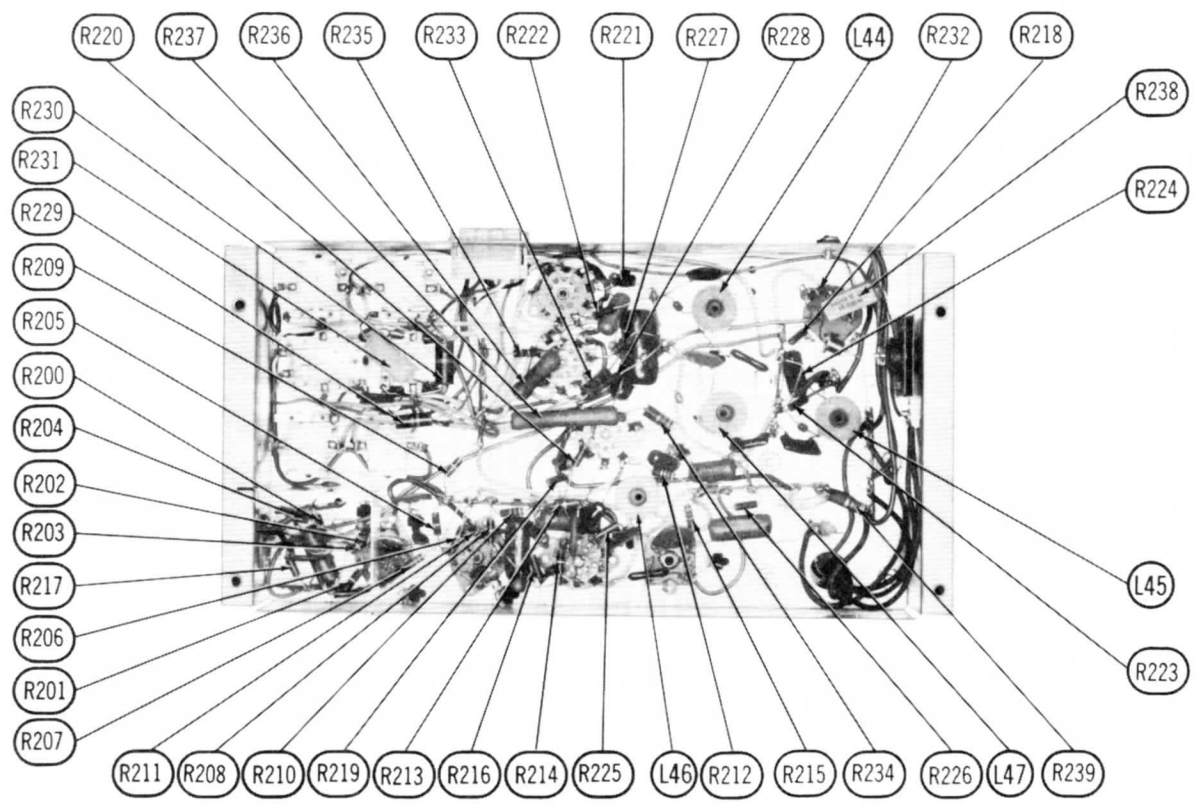
Suggested Alignment Tools: GENERAL CEMENT #5009, 8195, 8274, 8275, 8728, 8729, 8987, 8988, 8989
WALSCO #2515, 2531, 2532

OSCILLATOR ALIGNMENT

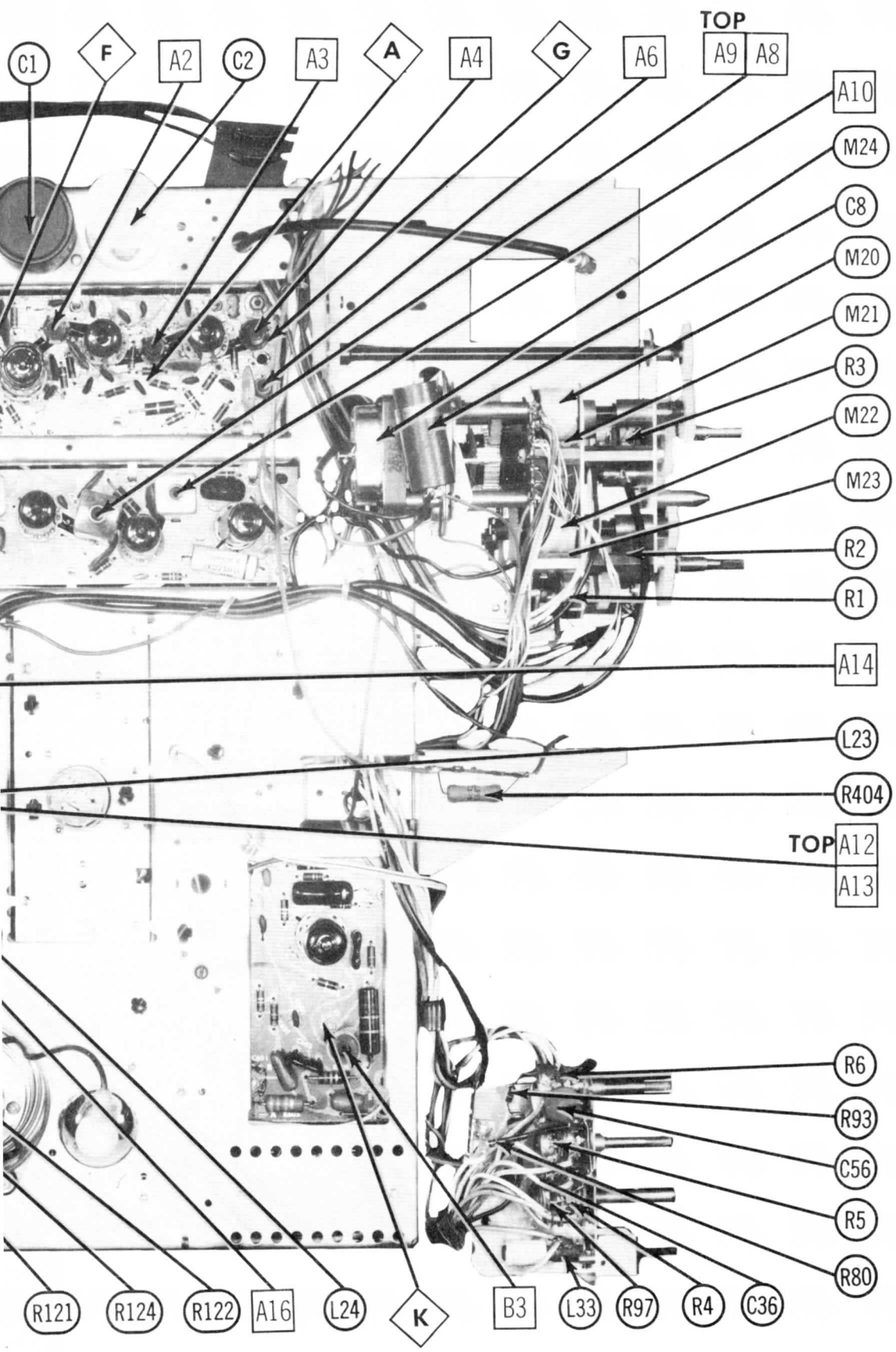
Set the Fine Tuning to the center of its range. Channel 13 slug is located on top of the tuner in front of the Oscillator tube. Channel 12 thru 2 is located on the front of the tuner in a circle around the shaft. The adjustments should be in sequence from the highest to the lowest in the area. The proper slug for each channel will become accessible thru an opening in the front disc as the Channel Selector is rotated. Proceed in a counterclockwise direction adjusting for best picture and sound.

RF AND MIXER ALIGNMENT

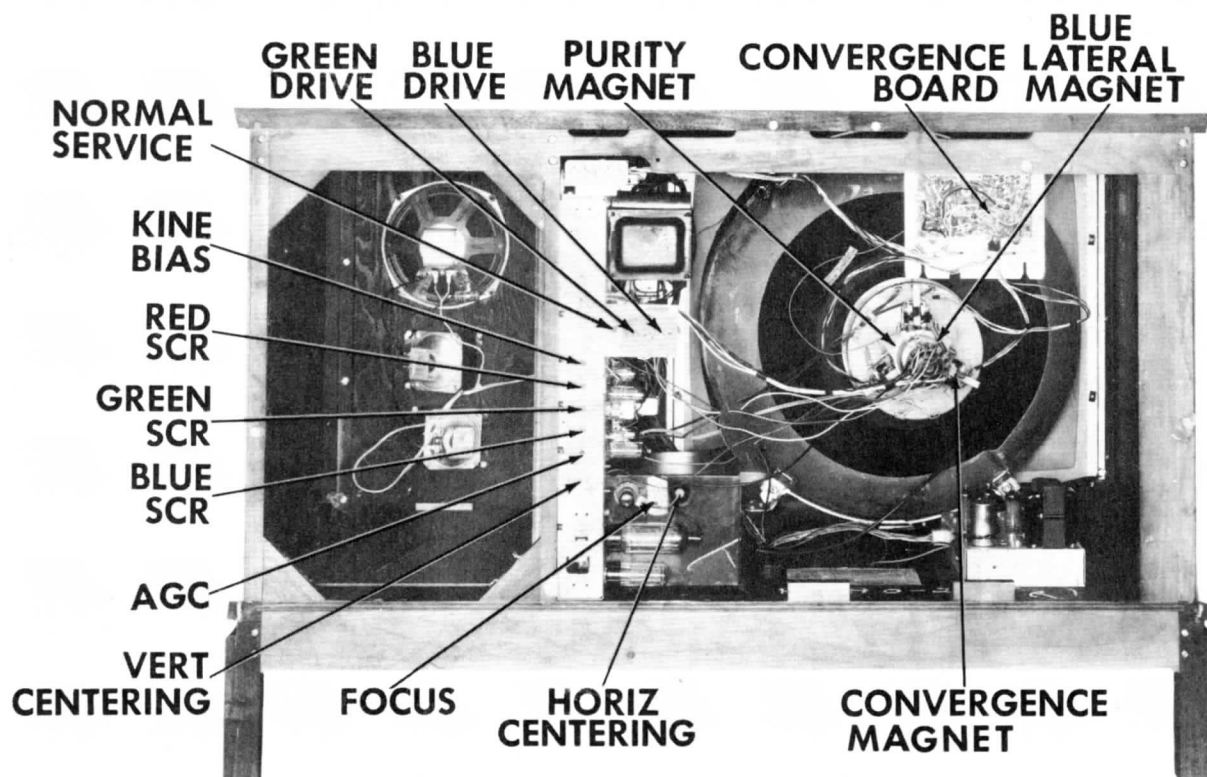
This portion of the tuner has been properly aligned at the factory and is very stable. Alignment of this portion should not be attempted in the field.



REMOTE CONTROL RECEIVER - BOTTOM VIEW



CHASSIS - TOP VIEW



CABINET-REAR VIEW

DISASSEMBLY INSTRUCTIONS

CHASSIS REMOVAL MODEL 21ICDR936U

1. Remove 10 push-on type knobs in front of cabinet.
2. Remove 8 screws holding rear cover.
3. Remove rear cover.
4. Remove picture tube socket, yoke wires, high voltage lead, convergence control panel plug, two plugs from remote control receiver, and speaker leads.

5. Remove 4 chassis bolts (2 at top and 2 at bottom).

6. Pull chassis out part way and remove 2 screws holding control panel.

7. Remove control panel and chassis.

PICTURE TUBE REMOVAL

It is necessary to remove the chassis for picture tube removal.